

NPort® IA5000A Series

1, 2, and 4-port serial device servers for industrial automation



- > Enhanced surge protection for LAN/serial/power
- > 2 KV isolation for serial signals
- > Screw-type terminal blocks for secure power/serial connections
- > C1D2 and ATEX certified for harsh industrial environments
- > Cascading Ethernet ports for easy wiring
- > Redundant DC power inputs
- > Warning by relay output and email
- > Low power consumption with built-in MiiNe CPU
- > -40 to 75°C operating temperature range (T models)



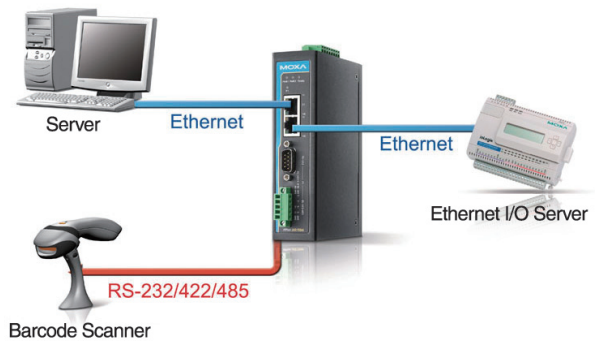
Overview

The NPort IA5000A series device servers are designed for connecting industrial automation serial devices, such as PLCs, sensors, meters, motors, drives, barcode readers, and operator displays. The device servers are built solid with a metal housing, screw connectors, and

provide full surge protection. The NPort IA5000A series device servers are extremely user-friendly, making simple and reliable serial-to-Ethernet solutions possible.

Cascading Ethernet Ports Make Wiring Easy (10/100BaseTX models only)

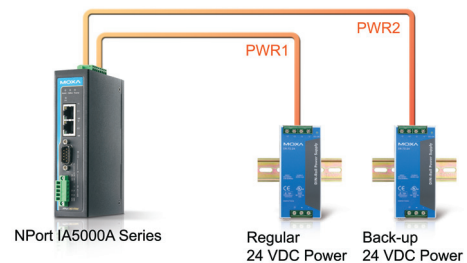
The NPort IA5000A series device servers each have two Ethernet ports that can be used as Ethernet switch ports. One port connects directly to the network or server, and the other port can be connected to another NPort IA device server or another Ethernet device. The dual Ethernet ports help reduce wiring costs by eliminating the need to connect each device to a separate Ethernet switch.



Redundant Power Inputs

The NPort IA5000A series device servers have two power inputs that can be connected simultaneously to live DC power sources. If one power source fails, the other source takes over automatically. Redundant power inputs help ensure uninterrupted operation of your device server.

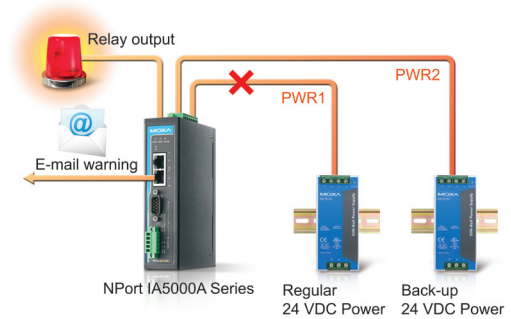
Dual Power Inputs



Relay Output Warning and E-mail Alerts

The built-in relay output can be used to alert administrators when the network is down, when power failure occurs or when there is a change in the DCD or DSR serial signals. An e-mail warning can also be issued when an abnormality is detected. These functions are valuable tools that enable maintenance engineers to react promptly to emergency situations.

Power Failure Alarm



Surge Protection for Serial, LAN, and Power

Moxa's leading-edge surge immunity solution, which is applied to the NPort® IA5000A's serial, power, and Ethernet lines, is tested and proven compliant with IEC 61000-4-5. This advanced surge protection

provides a robust serial-to-Ethernet solution that can protect electrical devices from voltage spikes and resist electrical interference, such as in oil, gas, and power automation applications.

Industrial-grade Certification

To ensure safe and reliable operation in industrial environments, the NPort® IA5000A device servers have obtained various industrial certifications, including an IP30 rating for mechanical protection and UL508 safety certification for industrial control equipment. In addition,

these device servers are UL/cUL listed (for Class1, Division 2, Groups A,B,C,D) and ATEX Class1 Zone 2 compliant for use in hazardous locations.

Specifications

Ethernet Interface

Number of Ports: 2
Speed: 10/100 Mbps, auto MDI/MDIX
Connector: 8-pin RJ45
Magnetic Isolation Protection: 1.5 KV built-in
Ethernet Line Protection: 1 KV (level 2) surge protection

Serial Interface

Number of Ports:
 NPort IA5150A: 1
 NPort IA5250A: 2
 NPort IA5450A: 4
Serial Standards: RS-232/422/485
Connector:
 NPort IA5150A: DB9 for RS-232, terminal block for RS-422/485
 NPort IA5250A/IA5450A: DB9 for RS-232/422/485

Serial Line Protection:

- 15 KV ESD protection for all signals
 - 2 KV isolation protection for isolation models
 - 1 KV (level 2) surge protection
- RS-485 Data Direction Control:** ADDC® (automatic data direction control)

Serial Communication Parameters

Data Bits: 5, 6, 7, 8
Stop Bits: 1, 1.5, 2
Parity: None, Even, Odd, Space, Mark
Flow Control: RTS/CTS and DTR/DSR (RS-232 only), XON/XOFF
Baudrate: 50 to 921.6 Kbps

Serial Signals

RS-232: TxD, RxD, RTS, CTS, DTR, DSR, DCD, GND
RS-422: Tx+, Tx-, Rx+, Rx-, GND
RS-485-4w: Tx+, Tx-, Rx+, Rx-, GND
RS-485-2w: Data+, Data-, GND

Software

Network Protocols: ICMP, IP, TCP, UDP, DHCP, BOOTP, Telnet, Rtelnet, DNS, SNMP, HTTP, SMTP, SNTP, IGMP
Configuration Options: Web Console, Serial Console, Telnet Console, Windows Utility
Windows Real COM Drivers: Windows 95/98/ME/NT/2000, Windows XP/2003/Vista/2008/7/8 x86/x64, 2012 x64
Fixed TTY Drivers: SCO Unix, SCO OpenServer, UnixWare 7, UnixWare 2.1, SVR 4.2, QNX 4.25, QNX 6, Solaris 10, FreeBSD, AIX 5.x, HP-UX 11i
Linux Real TTY Drivers: Linux kernel 2.4.x, 2.6.x, 3.x

Physical Characteristics

Housing: Metal
Weight:
 NPort IA5150A: 475 g
 NPort IA5250A: 485 g
 NPort IA5450A: 560 g
Dimensions:
 NPort IA5150A/IA5250A: 36 x 105 x 140 mm (1.42 x 4.13 x 5.51 in)
 NPort IA5450A: 45.8 x 134 x 105 mm (1.8 x 5.28 x 4.13 in)

Environmental Limits

Operating Temperature:
 Standard Models: 0 to 60°C (32 to 140°F)
 Wide Temp. Models: -40 to 75°C (-40 to 167°F)
Storage Temperature: -40 to 75°C (-40 to 167°F)
Ambient Relative Humidity: 5 to 95% (non-condensing)

Power Requirements

Input Voltage: 12 to 48 VDC

Power Consumption:

- NPort IA5150A: 12 to 48 VDC; 220 mA @ 12 VDC, 110 mA @ 24 VDC
- NPort IA5150AI: 12 to 48 VDC; 255 mA @ 12 VDC, 130 mA @ 24 VDC
- NPort IA5250A: 12 to 48 VDC; 250 mA @ 12 VDC, 125 mA @ 24 VDC
- NPort IA5250AI: 12 to 48 VDC; 290 mA @ 12 VDC, 150 mA @ 24 VDC
- NPort IA5450A: 12 to 48 VDC; 374 mA @ 12 VDC, 184 mA @ 24 VDC
- NPort IA5450AI: 12 to 48 VDC; 512 mA @ 12 VDC, 242 mA @ 24 VDC

Standards and Certifications

Safety: UL 508

Hazardous Location: UL/cUL Class I Division 2 Groups A/B/C/D, ATEX Class I Zone 2

EMC: CE, FCC

EMI: EN 55022 Class A, FCC Part 15 Subpart B Class A

EMS:

- EN 55024,
- EN 61000-4-2 (ESD) Level 3,
- EN 61000-4-3 (RS) Level 3,
- EN 61000-4-4 (EFT) Level 4,
- EN 61000-4-5 (Surge) Level 3,
- EN 61000-4-6 (CS) Level 3,
- EN 61000-4-8,
- EN 61000-4-11

Shock: IEC 60068-2-27

Freefall: IEC 60068-2-32

Vibration: IEC 60068-2-6

Reliability

Alert Tools: Built-in buzzer and RTC (real-time clock)

Automatic Reboot Trigger: Built-in WDT (watchdog timer)

MTBF (mean time between failures):

262,805 hrs

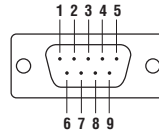
Warranty

Warranty Period: 5 years

Details: See www.moxa.com/warranty

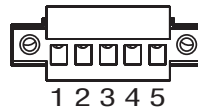
Pin Assignment

RS-232/422/485 DB9 male port



| PIN | RS-232 | RS-422/RS-485-4w | RS-485-2W |
|-----|--------|------------------|-----------|
| 1 | DCD | TxD-(A) | - |
| 2 | RXD | TxD+(B) | - |
| 3 | TXD | RxD+(B) | Data+(B) |
| 4 | DTR | RxD-(A) | Data-(A) |
| 5 | GND | GND | GND |
| 6 | DSR | - | - |
| 7 | RTS | - | - |
| 8 | CTS | - | - |

RS-422/485 Terminal Block Wiring

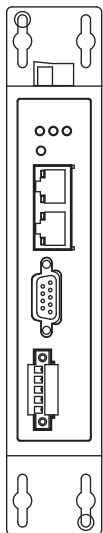


| PIN | RS-422/RS-485-4w | RS-485-2w |
|-----|------------------|-----------|
| 1 | TxD+(B) | - |
| 2 | TxD-(A) | - |
| 3 | RxD+(B) | Data+(B) |
| 4 | RxD-(A) | Data-(A) |
| 5 | GND | GND |

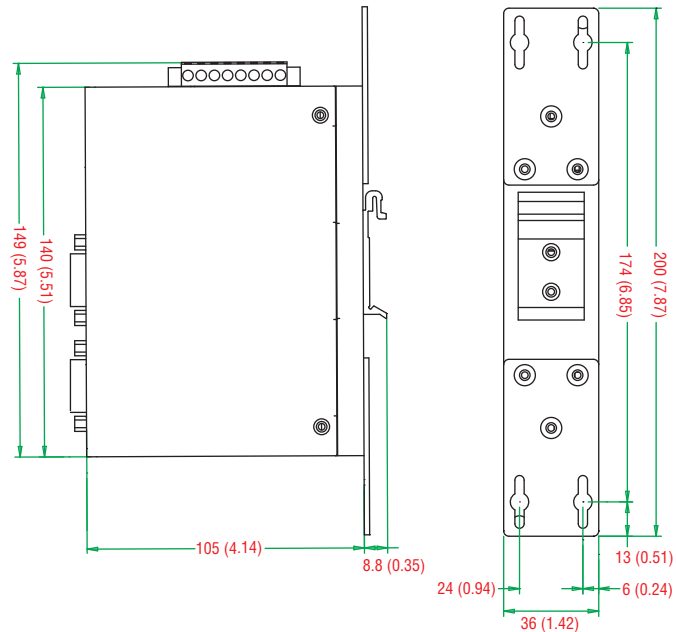
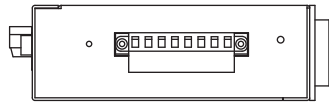
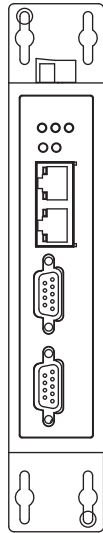
Dimensions

Unit: mm (inch)

NPort IA5150A
NPort IA5150AI

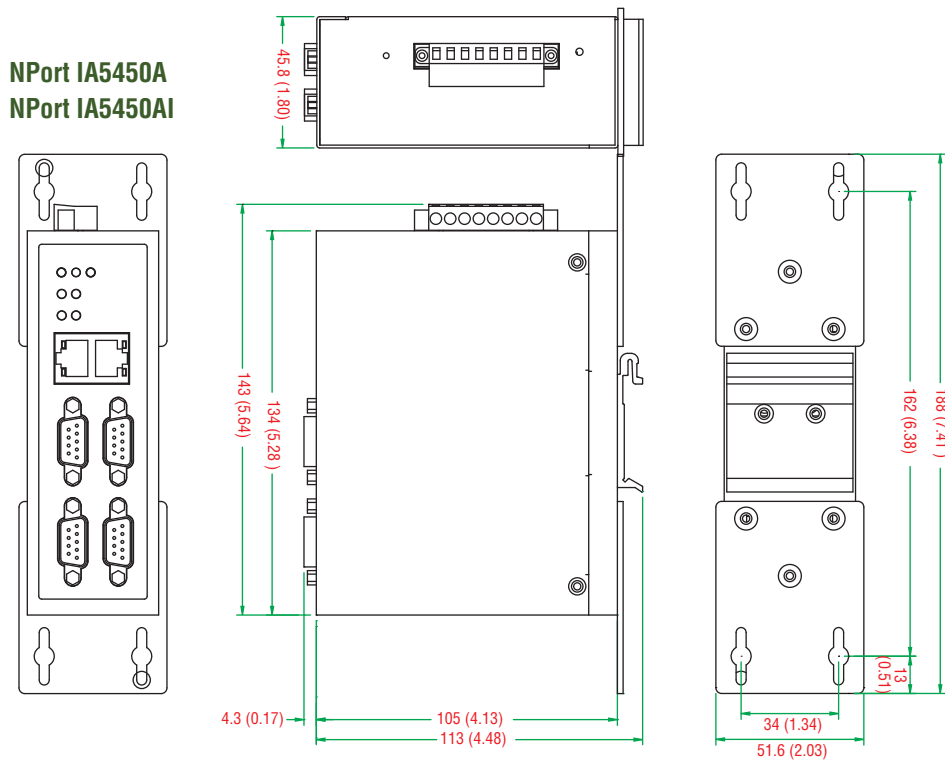


NPort IA5250A
NPort IA5250AI



Dimensions

Unit: mm (inch)



: Ordering Information

Available Models

NPort IA5150A: 1-port RS-232/422/485 industrial automation device server with serial/LAN/power surge protection, two 10/100BaseT(X) ports with single IP, 0 to 60°C operating temperature

NPort IA5150AI: 1-port RS-232/422/485 industrial automation device server with serial/LAN/power surge protection, two 10/100BaseT(X) ports with single IP, 2 KV isolation, 0 to 60°C operating temperature

NPort IA5250A: 2-port RS-232/422/485 industrial automation device server with serial/LAN/power surge protection, two 10/100BaseT(X) ports with single IP, 0 to 60°C operating temperature

NPort IA5250AI: 2-port RS-232/422/485 industrial automation device server with serial/LAN/power surge protection, two 10/100BaseT(X) ports with single IP, 2 KV isolation, 0 to 60°C operating temperature

NPort IA5450A: 4-port RS-232/422/485 industrial automation device server with serial/LAN/power surge protection, two 10/100BaseT(X) ports with single IP, 0 to 60°C operating temperature

NPort IA5450AI: 4-port RS-232/422/485 industrial automation device server with serial/LAN/power surge protection, two 10/100BaseT(X) ports with single IP, 2 KV isolation protection, 0 to 60°C operating temperature

NPort IA5150A-T: 1-port RS-232/422/485 industrial automation device server with serial/LAN/power surge protection, two 10/100BaseT(X) ports with single IP, -40 to 75°C operating temperature

NPort IA5150AI-T: 1-port RS-232/422/485 industrial automation device server with serial/LAN/power surge protection, two 10/100BaseT(X) ports with single IP, 2 KV isolation, -40 to 75°C operating temperature

NPort IA5250A-T: 2-port RS-232/422/485 industrial automation device server with serial/LAN/power surge protection, two 10/100BaseT(X) ports with single IP, -40 to 75°C operating temperature

NPort IA5250AI-T: 2-port RS-232/422/485 industrial automation device server with serial/LAN/power surge protection, two 10/100BaseT(X) ports with single IP, 2 KV isolation, -40 to 75°C operating temperature

NPort IA5450A-T: 4-port RS-232/422/485 industrial automation device server with serial/LAN/power surge protection, two 10/100BaseT(X) ports with single IP, -40 to 75°C operating temperature

NPort IA5450AI-T: 4-port RS-232/422/485 industrial automation device server with serial/LAN/power surge protection, two 10/100BaseT(X) ports with single IP, 2 KV isolation protection, -40 to 75°C operating temperature

Optional Accessories (can be purchased separately)

8-contact screw-type terminal block: Power inputs and relay output

5-contact screw-type terminal block: For the NPort IA5150A's RS-422/485 port

WK-36-02: Wall mounting kit for the NPort IA5150A/IA5250A

WK-51-01: Wall mounting kit for the NPort IA5450A

Package Checklist

- NPort IA5000A series device server
- Documentation and software CD
- Quick installation guide (printed)
- Warranty card