

SFP-10G Series

1-port 10 Gigabit Ethernet SFP+ modules



- > Compliant with IEEE 802.3ae
- > SFF-8432 SFP+ MSA compliant
- > Hot pluggable LC duplex connector
- > Class 1 Laser International Safety Standard IEC 825 compliant
- > RoHS compliant



Specifications

Interface

10G Ethernet Port: 1
Connectors: Duplex LC Connector

Optical Fiber

	10 Gigabit Ethernet	
	SFP-SR	SFP-LR
Wavelength	850 nm	1310 nm
Max. TX	-1 dBm	0.5 dBm
Min. TX	-5 dBm	-8.2 dBm
RX Sensitivity	-10 dBm	-14.4 dBm
Link Budget	5 dB	6.2 dB
Typical Distance	33 m ^a 300 m ^b	10 km ^c
Saturation	-1 dBm	-0.5 dBm

a. 62.5/125 μm, 200 MHz*km (OM1) multi-mode fiber optic cable
 b. 50/125 μm, 2000 MHz*km (OM3) multi-mode fiber optic cable
 c. 9/125 μm single-mode fiber optic cable

Environmental Limits

Operating Temperature: 0 to 60°C (32 to 176°F)
Storage Temperature: -40 to 85°C (-40 to 185°F)
Ambient Relative Humidity: 5 to 95% (non-condensing)

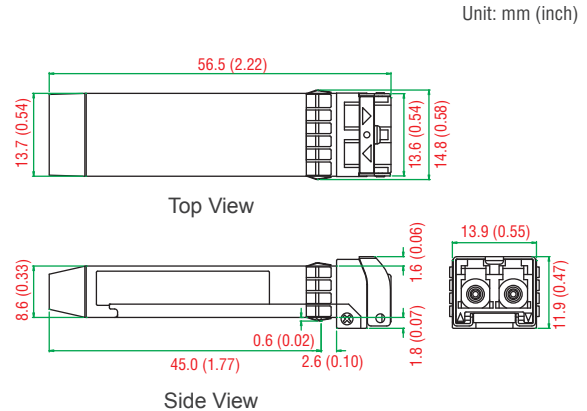
Standards and Certifications

Safety: UL 60950-1, TÜV

Warranty

Warranty Period: 5 years
Details: See www.moxa.com/warranty

Dimensions



Ordering Information

Available Models

SFP-10GSRLC: SFP+ module with 1 10GBase-SR port for 33 m transmission, LC connector, 0 to 60°C operating temperature

SFP-10GLRLC: SFP+ module with 1 10GBase-LR port for 10 km transmission, LC connector, 0 to 60°C operating temperature

Package Checklist

- SFP-10G module
- Warranty card

The SFP-10G series modules can be used with the following products:

ICS-G7526/G7528, ICS-G7750/G7752, ICS-G7826/G7828, ICS-G7850/G7852