

TN-5508/5516 Series

EN 50155 8/16-port managed Ethernet switches



- > Wide power input range from 12 to 110 VDC (LV-MV models)
- > Isolated redundant power inputs with universal 12/24/36/48 VDC, 72/96/110 VDC, or 110/220 VDC/VAC power supply range
- > Compliant with essential sections of EN 50155
- > -40 to 75°C operating temperature range (T models)
- > Turbo Ring and Turbo Chain (recovery time < 20 ms @ 250 switches), RSTP/STP, and MSTP* for network redundancy

*Available in Q2, 2012



Introduction

The ToughNet TN-5508/5516 series M12 managed Ethernet switches are designed for industrial applications in harsh environments. The TN series switches use M12 and other circular connectors to ensure tight, robust connections, and guarantee reliable operation against environmental disturbances, such as vibration and shock. The TN-5500-LV-MV switches provide the wide power input range of 12/24/36/48/72/96/110 VDC that allows you to the same type of power source at different sites around the globe. In addition, the 12/24/36/48 VDC, 72/96/110 VDC, or 110/220 VDC/VAC dual, isolated redundant

power supply increases the reliability of your communications and saves on cabling/wiring costs. The TN-5508/5516 switches provide up to 8 or 16 Fast Ethernet M12 ports. Models with an extended operating temperature range of -40 to 75°C are also available. The TN-5500 series Ethernet switches are compliant with the essential sections of EN 50155, covering operating temperature, power input voltage, surge, ESD and vibration, making the switches suitable for a variety of industrial applications.

Features and Benefits

- Three rotary switches for setting the last 3 digits of the IP address makes maintenance even easier
- IPv6 Ready logo awarded (IPv6 Logo Committee certified)
- Leading EN50155-compliant industrial Ethernet switches for rolling stock applications
- DHCP Option 82 for IP address assignment with different policies
- EtherNet/IP* and Modbus/TCP industrial Ethernet protocol supported
- Turbo Ring and Turbo Chain (recovery time < 20 ms @ 250 switches), RSTP/STP, and MSTP* for network redundancy
- IGMP snooping and GMRP for filtering multicast traffic
- Port-based VLAN, IEEE 802.1Q VLAN, and GVRP to ease network planning
- QoS (IEEE 802.1p/1Q and TOS/DiffServ) to increase determinism
- IEEE 802.3ad, LACP for optimum bandwidth utilization

- TACACS+, SNMPv3, IEEE 802.1X, HTTPS, and SSH to enhance network security
- SNMPv1/v2c/v3 for different levels of network management
- RMON for efficient network monitoring and proactive capability
- Bandwidth management prevents unpredictable network status
- Lock port allows access by only authorized MAC addresses
- Port mirroring for online debugging
- Automatic warning by exception through email, relay output
- Line-swap fast recovery
- Automatic recovery of connected device's IP addresses
- LLDP for automatic topology discovery in network management software
- Configurable by web browser, Telnet/serial console, and CLI*, Windows utility
- Panel mounting or DIN-Rail mounting installation capability

*Available in Q2, 2012

Specifications

Technology

Standards:

- IEEE 802.3 for 10BaseT
- IEEE 802.3u for 100BaseT(X)
- IEEE 802.3ab for 1000BaseT(X)
- IEEE 802.3x for Flow Control
- IEEE 802.1D-2004 for Spanning Tree Protocol
- IEEE 802.1w for Rapid STP
- IEEE 802.1s for Multiple Spanning Tree Protocol*
- IEEE 802.1Q for VLAN Tagging
- IEEE 802.1p for Class of Service
- IEEE 802.1X for Authentication

IEEE 802.3ad for Port Trunk with LACP

Protocols: IGMPv1/v2, GMRP, GVRP, SNMPv1/v2c/v3, DHCP Server/Client, DHCP Option 66/67/82, BootP, TFTP, SNTP, SMTP, RARP, RMON, HTTP, HTTPS, Telnet, SSH, Syslog, EtherNet/IP, Modbus/TCP, SNMP Inform, LLDP, IEEE 1588 PTP V2, IPv6, NTP Server/Client, TACACS+

MIB: MIB-II, Ethernet-like MIB, P-BRIDGE MIB, Q-BRIDGE MIB, Bridge MIB, RSTP MIB, RMON MIB Group 1, 2, 3, 9

Flow Control: IEEE802.3x flow control, back pressure flow control

*Available in Q2, 2012

Switch Properties

Priority Queues: 4

Max. Number of Available VLANs: 64

VLAN ID Range: VID 1 to 4094

IGMP Groups: 256

Interface

Fast Ethernet: Front cabling, M12 connector, 10/100BaseT(X) auto negotiation speed, F/H duplex mode, and auto MDI/MDI-X connection

Console Port: M12 A-coding 5-pin male connector

System LED Indicators: PWR1, PWR2, FAULT, MSTR/HEAD, CPLR/ TAIL

Port LED Indicators: 10/100M

Alarm Contact: 2 relay outputs in one M12 A-coding 5-pin male connector with current carrying capacity of 3 A @ 30 VDC

Rotary Switches: For setting the last 3 digits of the IP address

Power Requirements

Input Voltage:

- LV: 12/24/36/48 VDC (8.4 to 60 VDC)
- MV: 72/96/110 VDC (50.4 to 137.5 VDC)
- HV: 110/220 VDC/VAC (88 to 300 VDC, 85 to 264 VAC)

Note: Compliant with EN 50155 on 24/48/72/96/110 VDC

Input Current:

- TN-5508 Series:
 - 0.234 A @ 24 VDC, 0.104 A @ 72 VDC,
 - 0.072 A @ 110 VDC, 0.18 A @ 110 VAC,
 - 0.12 A @ 220 VAC
- TN-5516 Series:
 - 0.338 A @ 24 VDC, 0.133 A @ 72 VDC,
 - 0.089 A @ 110 VDC, 0.270 A @ 110 VAC,
 - 0.170 A @ 220 VAC

Overload Current Protection: Present

Connection: M23 connector

Reverse Polarity Protection: Present

Physical Characteristics

Housing: Metal, IP54 protection (optional protective caps available for unused ports)

Dimensions:

TN-5508 Series: 185 x 175.8 x 69.8 mm (7.28 x 6.92 x 2.75 in)

TN-5516 Series: 250 x 175.8 x 69.8 mm (9.84 x 6.92 x 2.75 in)

Weight:

TN-5508 Series: 1650 g

TN-5516 Series: 2500 g

Installation: Panel mounting, DIN-Rail mounting (with optional kit)

Environmental Limits

Operating Temperature:

Standard Models: -25 to 60°C (32 to 140°F)

Wide Temp. Models: -40 to 75°C (-40 to 167°F)

Storage Temperature: -40 to 85°C (-40 to 185°F)

Ambient Relative Humidity: 5 to 95% (non-condensing)

Standards and Certifications

Safety: UL 508 (Pending)

EMI: FCC Part 15 Subpart B Class A, EN 55022 Class A

EMS:

EN 61000-4-2 (ESD) Level 3,

EN 61000-4-3 (RS) exceeds Level 3,

EN 61000-4-4 (EFT) Level 3,

EN 61000-4-5 (Surge) Level 3,

EN 61000-4-6 (CS) Level 3,

EN 61000-4-8,

EN 61000-4-11

Rail Traffic: (for panel mounting installations)

EN 50155, EN 50121-4

Shock: IEC 61373

Freefall: IEC 60068-2-32

Vibration: IEC 61373

Note: Please check Moxa's website for the most up-to-date certification status.

Warranty

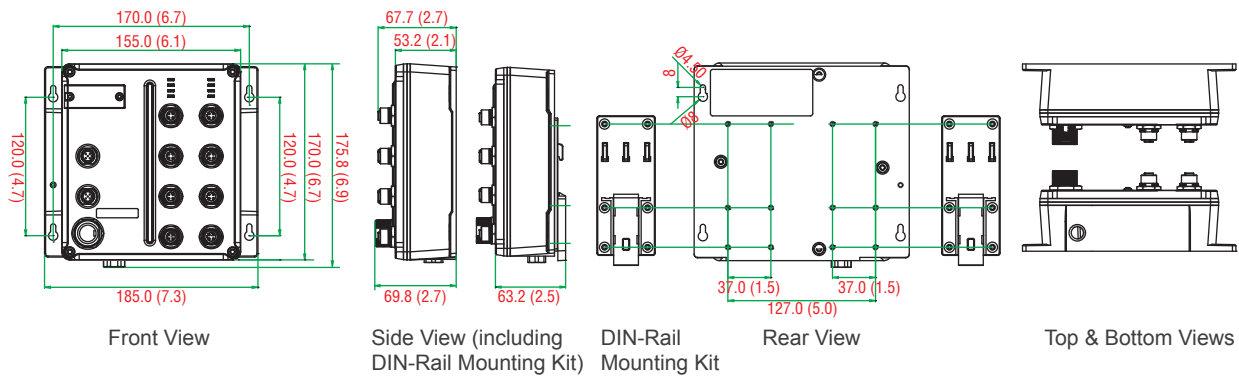
Warranty Period: 5 years

Details: See www.moxa.com/warranty

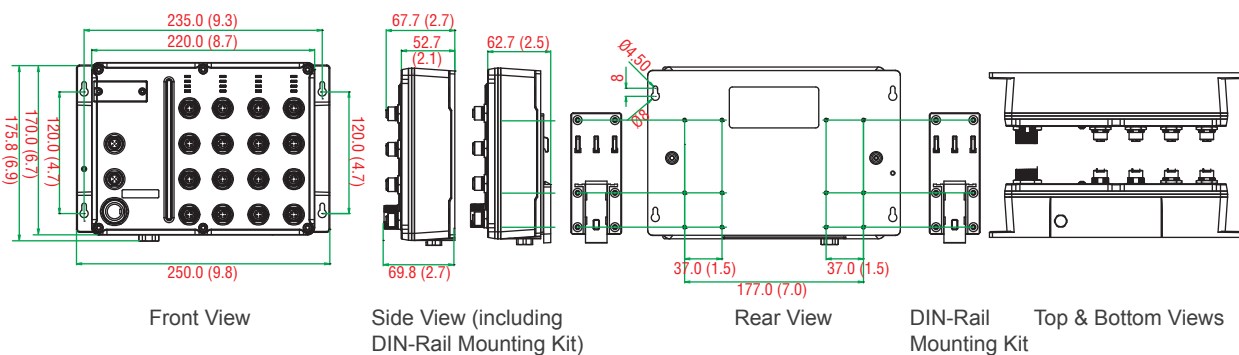
Dimensions

TN-5508 Series

Unit: mm (inch)



TN-5516 Series



Ordering Information

Available Models		Port Interface	Power Supply					
Standard Temperature (-25 to 60°C)	Wide Temperature (-40 to 75°C)		Power Supply 1			Power Supply 2		
			LV	MV	HV	LV	MV	HV
		10/100 BaseT(X), M12 connector	12/24/36/48 VDC (8.4 to 60 V), non-isolated	72/96/110 VDC (50.4 to 154 V), isolated	88 to 300 VDC and 85 to 264 VAC, isolated	12/24/36/48 VDC (8.4 to 60 V), non-isolated	72/96/110 VDC (50.4 to 137.5 V), isolated	88 to 300 VDC and 85 to 264 VAC, isolated
TN-5508 Series								
TN-5508-LV-LV	TN-5508-LV-LV-T	8	1	-	-	1	-	-
TN-5508-LV-MV	TN-5508-LV-MV-T	8	1	-	-	-	1	-
TN-5508-LV-HV	TN-5508-LV-HV-T	8	1	-	-	-	-	1
TN-5516 Series								
TN-5516-LV-LV	TN-5516-LV-LV-T	16	1	-	-	1	-	-
TN-5516-LV-MV	TN-5516-LV-MV-T	16	1	-	-	-	1	-
TN-5516-LV-HV	TN-5516-LV-HV-T	16	1	-	-	-	-	1
TN-5516-MV-MV	TN-5516-MV-MV-T	16	-	1	-	-	1	-
TN-5516-MV-HV	TN-5516-MV-HV-T	16	-	1	-	-	-	1
TN-5516-HV-HV	TN-5516-HV-HV-T	16	-	-	1	-	-	1

Note: Conformal coating is available on request.

Optional Accessories (must be purchased separately)

Power Cords, M12 Connectors, Protective Caps: See page 2-22

MXview: Moxa industrial network management software with 50, 100, 250, 500, 1000, or 2000 nodes

EDS-SNMP OPC Server Pro: OPC server software that works with all SNMP devices

ABC-01-M12: Configuration backup and restoration tool for TN series managed Ethernet switches, 0 to 60°C operating temperature

Package Checklist

- TN-5508 or TN-5516 switch
- M12-to-DB9 console port cable
- 2 protective caps for console and relay output ports
- Panel mounting kit
- Documentation and software CD
- Hardware installation guide
- Warranty card

Accessories

: M12/M23 Power Cords

CBL-M12D(MM4P)/RJ45-100 IP67

1-meter M12-to-RJ45 Cat-5C UTP Ethernet cable with IP67-rated 4-pin male D-coded M12 connector



CBL-M12(FF5P)/OPEN-100 IP67

1-meter M12-to-5-pin power cable with IP67-rated 5-pin female A-coded M12 connector



CBL-M23(FF6P)/Open-BK-100 IP67

1-meter M23-to-6-pin power cable with IP67-rated 6-pin female M23 connector



: M12 Connectors

M12D-4P-IP68

Field-installable M12 D-coded screw-in sensor connector, 4-pin male, IP68-rated



M12A-5P-IP68

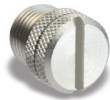
Field-installable M12 A-coded screw-in sensor connector, 5-pin female, IP68-rated



: M12 IP67 Protective Caps

A-CAP-M12F-M

Metal cap for M12 female connector



A-CAP-M12M-M

Metal cap for M12 male connector



: M23 Connectors

A-PLG-WPM23-01

M23 cable connector, 6-pin female, crimp type

