



Features

- Excellent C/P ratio (cost/performance)
- High-resolution color touch screen
- RTC (Real Time Clock)
- Supports 1 Serial Port (RS-232/RS-485, including Self-Tuner)
- Rubber Keypad
- WYSIWYG (What You See Is What You Get) GUI design
- Free HMIWorks development tool
- Supports the popular C programming language
- Supports Ladder Designer
- ESD Protection: 4 kV
- Operating temperature: -20 ~ 70°C
- Front Panel: IP65 Waterproof

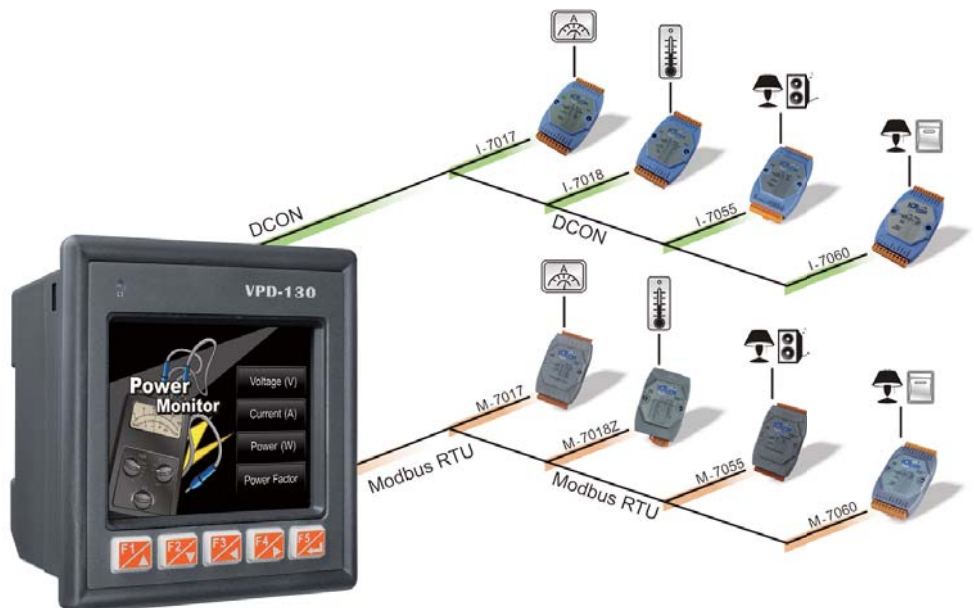
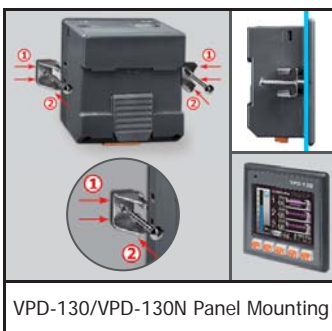


Introduction

VPD industrial touch HMI device series features, 3.5" high resolution color touch screen LCD. With touchscreen capability, it is easy to deploy into all kinds of automation systems, and make them more intuitive and efficient. Either setup new system installations or complete system retrofits, VPD series stands out for its wide variety of communication methods. Its built-in communication ports include RS-232/RS-485, and USB interface, enable integration into the system allowing users to control, monitor I/O at the remote sides and update firmware directly from the central computer. Besides, the built-in non-volatile storage makes VPD series more reliable for rugged environments.

HMIWorks, the free development software for VPD series, provides an easy-to-use environment, and powerful and intuitive programming with graphic capabilities to let users create appealing graphical interface screens in minutes. For PLC users, HMIWorks provides Ladder Designer and C language environment for IT users. Especially, it only takes no more than 30 minutes to learn how to create an application program when using Ladder Designer. With all the features provided, VPD series touch HMI Devices must be the most cost effective HMI Device ever been in the market.

Applications



Applications

Status Display

Presentations

Factory/Machine Automation

User-defined HMI

Power Monitor

- Voltage (V)
- Current (A)
- Power (W)
- Power Factor

Schedule Management with Built-in RTC

Multi-display

Multi-page Design

	Time	Shutdown	Cumulative Time
1	120 _m	Start	120 _m Reset
2	120 _m	Start	120 _m Reset
3	120 _m	Start	

	Remaining
1	120 _m
2	120 _m
3	120 _m

26c

curr. val. 2010/03/23
Setting 110 V 11:25:25

1

Touch HMI Devices

3

VPD Series

VPD-130/VPD130N

Applications

1

Touch HMI Devices

Operator Interface



Alarm



Specifications

3

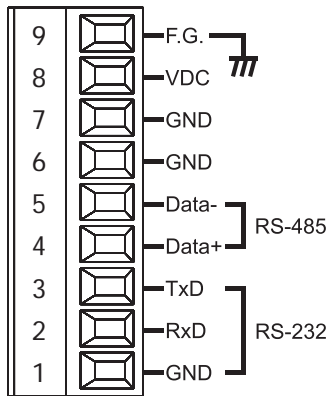
VPD Series

Models	VPD-130	VPD-130N
CPU Module		
CPU	32-bit RISC CPU	
Memory Expansion	16 MB SDRAM / 8 MB Flash	
Real Time Clock (RTC)	Yes	
Buzzer	Yes	
Rotary Switch (0-9)	Yes	
Communication Interface		
Serial Port	x 1 (RS-232/RS-485 including Self-Tuner)	
USB 1.1 Client	Firmware updates only	
MMI (Main Machine Interface)		
LCD	3.5" TFT (Resolution 240 x 320 x 16), defective pixels <= 3	
Backlight Life	20,000 hours	
Brightness	270 cd/m ²	
LED Indicator	Yes	-
Touch Panel	Yes	
Reset Button	Yes	
Rubber Keypad	5 keys (Programmable)	-
Electrical		
Power Input Range	+12 ~ 48 V _{DC}	
Power Consumption	2 W (83 mA @ 24 V _{DC})	
Mechanical		
Dimensions (W x L x H)	103 mm x 103 mm x 53 mm	
Ingress Protection	Front Panel: IP65	
Installation	DIN-Rail Mounting and Panel Mounting	
Environmental		
Operating Temperature	-20 ~ +70 °C	
Storage Temperature	-30 ~ +80 °C	
Ambient Relative Humidity	10 ~ 90% RH, non-condensing	

VPD-130/VPD130N

Pin Assignments

VPD-130/VPD-130N



1

Touch HMI Devices

Appearance

VPD-130 Front View



VPD-130N Front View



3

VPD Series

VPD-130/VPD-130N Top View



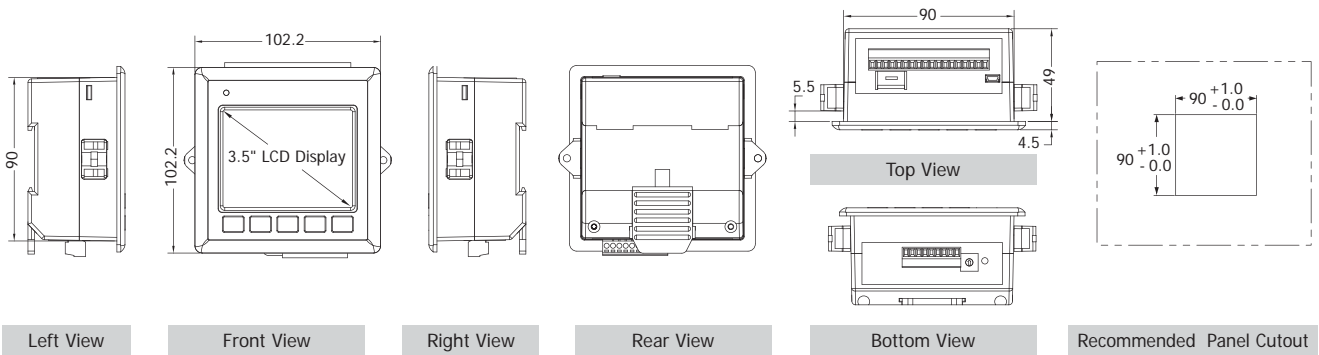
VPD-130/VPD-130N Bottom View



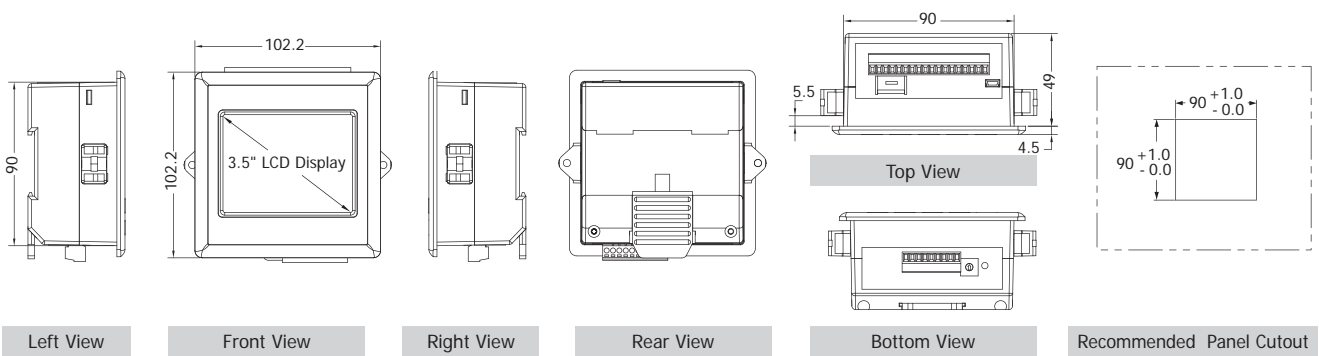
VPD-130/VPD130N

Dimensions (Units: mm)

VPD-130



VPD-130N



Ordering Information

VPD-130 CR	3.5" Touch HMI device with RS-232/RS-485, USB, RTC, Rubber Keypad (RoHS)
VPD-130N CR	3.5" Touch HMI device with RS-232/RS-485, USB, RTC (RoHS)
VPD-130/S1 CR	3.5" Touch HMI device with RS-232/RS-485, USB, RTC, Rubber Keypad (RoHS) Includes Software CD x 1, CA-USB10 x 1
VPD-130N/S1 CR	3.5" Touch HMI device with RS-232/RS-485, USB, RTC (RoHS) Includes Software CD x 1, CA-USB10 x 1

Accessories

CA-USB10	USB to 5P Mini-USB, 28AWG, 1.5 m
MDR-60-24 CR	24 V _{dc} /2.5A, 60 W Power Supply with DIN-Rail Mounting (RoHS)
DIN-KA52F CR	24 V _{dc} /1.04 A, 25 W Power Supply with DIN-Rail Mounting (RoHS)