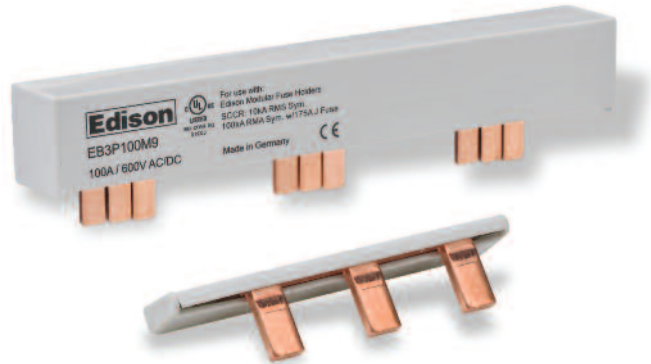


Edison Comb-Bus Bars

Features

- Easily distribute power in single-phase or three-phase configurations
- Flexible cut-to length solutions without compromising on the product's finger-safe features
- 10kA (default) SCCR
- 100kA SCCR (Short Circuit Current Rating) when protected by a 200A Class J fuse
- Single-phase bus bars rated to 1000VDC/600VAC and 100A in end-fed configuration (200A for center-fed configuration)
- Three-phase bus bars rated to 600VAC/DC and 100A in end-fed configuration. (200A for center-fed configuration)
- Power feed terminals for single-phase and three-phase service



Note: Not to be used with older style CH series fuse holders.

Agency Approvals/Standards

- UL508, File E195399
- CE
- RoSH
- Reach

Comb-Bus Bar Selection Table

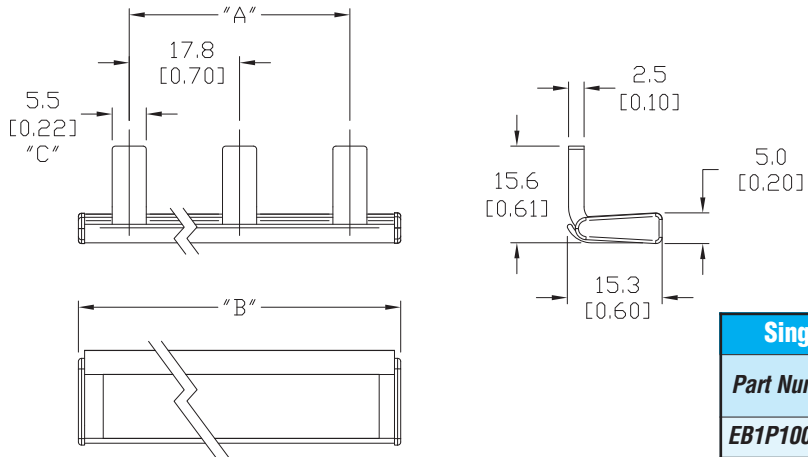
Part Number	Wiring Configuration	Maximum Voltage	Maximum Current	Endcap	# of Pins/Connections	Product Weight (lbs.)	Box Qty.	Price
EB1P100M3	Single-phase	600VAC 1000VDC	100A (power feed from end)	Ships w/2 Endcaps	3	1.84	1	<--->
EB1P100M6					6	3.90		<--->
EB1P100M9					9	5.38		<--->
EB1P100M12					12	7.94		<--->
EB1P100M15					15	10.00		<--->
EB1P100M57				Sold separately (EECAP1P)	57	15.52	1	<--->
EB3P100M6	Three-phase	600VAC/DC	200A (power feed from center)	Ships w/2 Endcaps	6	1.84	1	<--->
EB3P100M9					9	3.07		<--->
EB3P100M12					12	4.28		<--->
EB3P100M15					15	5.54		<--->
EB3P100M57				Sold separately (EECAPMP)	57	44.67	1	<--->

- Company Information
- Systems Overview
- Programmable Controllers
- Field I/O
- Software
- C-more & other HMI
- Drives
- Soft Starters
- Motors & Gearbox
- Steppers/ Servos
- Motor Controls
- Proximity Sensors
- Photo Sensors
- Limit Switches
- Encoders
- Current Sensors
- Pressure Sensors
- Temperature Sensors
- Pushbuttons/ Lights
- Process
- Relays/ Timers
- Comm.
- Terminal Blocks & Wiring
- Power
- Circuit Protection
- Enclosures
- Tools
- Pneumatics
- Safety
- Appendix
- Product Index
- Part # Index

Edison Comb-Bus Bars Dimensions

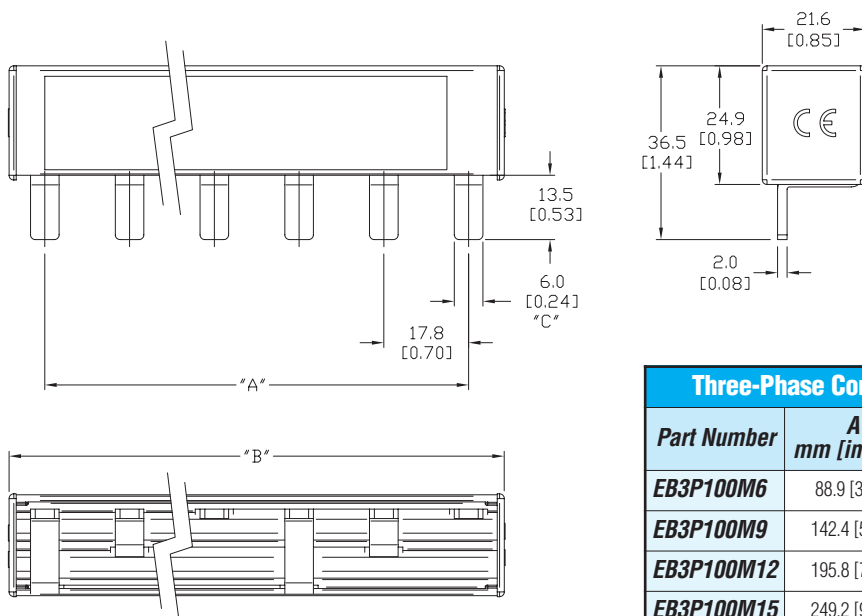
Typical Single-Phase Dimensional Data

mm [inches]



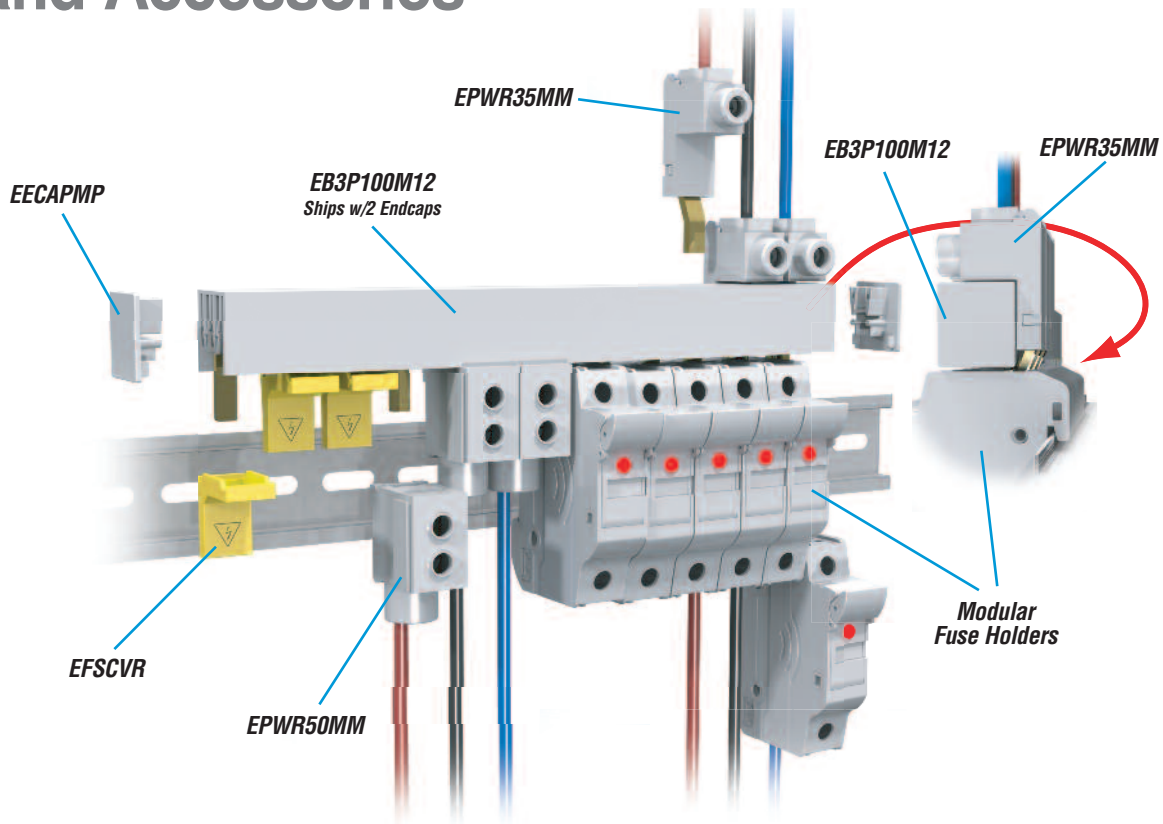
Single-Phase Comb-Bus Bar Dimensions			
Part Number	A mm [inches]	B mm [inches]	C # of pins
EB1P100M3	35.6 [1.40]	60.4 [2.38]	3
EB1P100M6	88.9 [3.50]	113.0 [4.45]	6
EB1P100M9	142.4 [5.61]	157.1 [6.19]	9
EB1P100M12	195.8 [7.71]	211.8 [8.33]	12
EB1P100M15	249.2 [9.81]	271.7 [10.70]	15
EB1P100M57	996.8 [39.24]	1011.2 [39.81]	57

Typical Three-Phase Dimensional Data



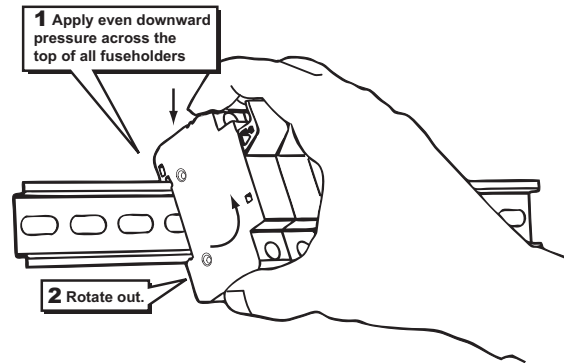
Three-Phase Comb-Bus Bar Dimensions			
Part Number	A mm [inches]	B inches [mm]	C # of Pins
EB3P100M6	88.9 [3.50]	103.7 [4.08]	6
EB3P100M9	142.4 [5.61]	158.4 [6.24]	9
EB3P100M12	195.8 [7.71]	213.3 [8.39]	12
EB3P100M15	249.2 [9.81]	265.0 [10.43]	15
EB3P100M57	996.8 [39.24]	1011.2 [39.81]	57

Edison Comb-Bus Bar Installation and Accessories



Comb-Bus Bar Accessories				
Part Number	Description	Product Weight (lbs)	Qty. Per Pack	Price
EECAP1P	Single-phase busbar endcap	0.02	50	<-->
EECAP1P-10			10	<-->
EECAPMP	Three-phase busbar endcap	0.22	50	<-->
EECAPMP-10			10	<-->
EPWR35MM	35mm ² feeder terminal for three-phase busbar, wire range: 10-1/0 AWG CU, torque 50 lb-in, (115A, 1000VAC/DC)	0.68	10	<-->
EPWR35MM-1			1	<-->
EPWR50MM	50mm ² direct feed terminal, wire range: 14-1 AWG CU, torque 35 lb-in, (115A, 1000VAC/DC)	0.61	10	<-->
EPWR50MM-1			1	<-->
EFSCVR	Spare contact safety protection covers	0.17	10	<-->
EFSCVR-2			2	<-->
EPWR1PLP	Single-phase low-profile feeder terminal, wire range: 10-1/0 AWG CU, torque 50 lb-in, (115A, 1000VAC/DC)	0.51	10	<-->
EPWR1PLP-1			1	<-->

DIN Rail Removal



Fuse Holder Accessories			
Part Number	Description	Qty. Per Pack	Price
JV-L (Not Field Installable)	Multi-pole connection kit to connect multiple Class CC and Midget Class fuse holders together.	6 connectors 3 handle pins	<-->

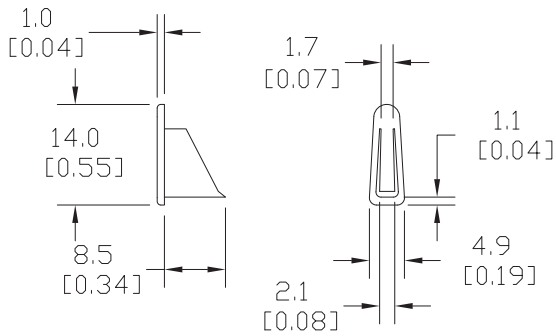


JV-L

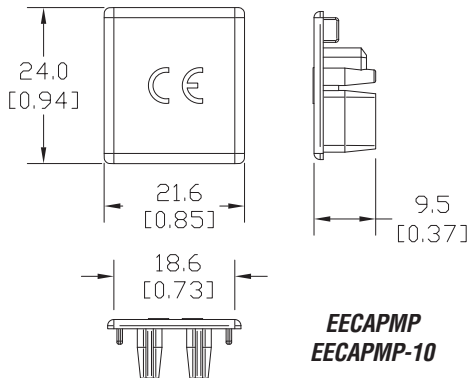
Edison Comb-Bus Accessories

Dimensions

mm [inches]

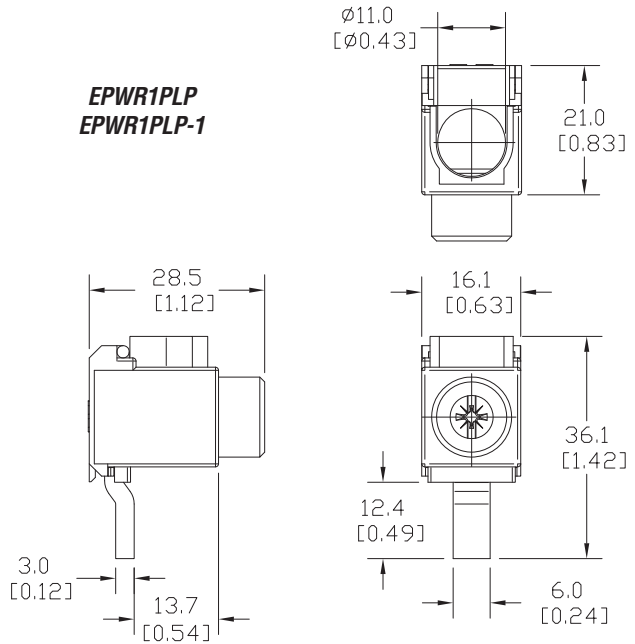


EECAP1P
EECAP1P-1

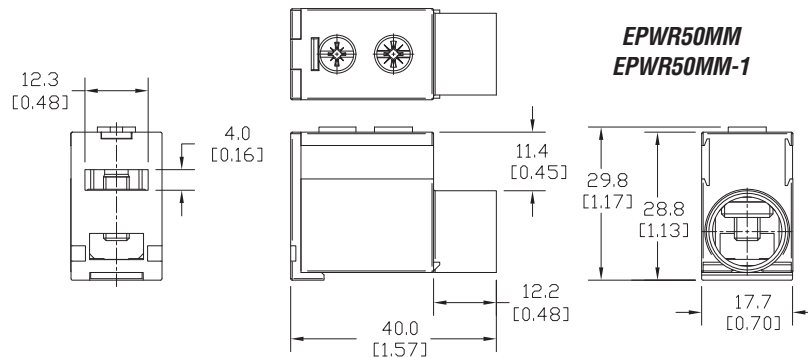


EECAPMP
EECAPMP-1

EPWR1PLP
EPWR1PLP-1



EPWR50MM
EPWR50MM-1



Edison Comb-Bus Accessories

Dimensions

mm [inches]

