

# Edison Fuses – Small Dimension Fast-Acting AGC



## Applications

Supplemental protection for electronic applications

## AGC Specifications

**Voltage Rating:** AGC - See table below

**Ampere Rating:** 0.10 - 30 Amps

**Interrupting Rating:** See table below

## Environmental Data

Shock: 0.1A thru 0.75A - MIL-STD-202, Method 213, Test Condition I;  
1A thru 30A - MIL-STD-202, Method 207, (HI shock)

Vibration: 0.1A thru 30A - MIL-STD-202, Method 204, Test condition A (except 5g, 500 HZ)

## Agency Approvals

- UL Listed product meets standard 248-14
- UL Listed Card: (0.1-10A): JDYX E19180
- UL Recognition Card: (15-30A): JDYX2 E19180
- CSA Certification 053787 (Class No. 1422 01 and 1422 30)

## Features

- Compact dimensions 1/4" x 1-1/4", (6.3 mm x 32 mm)
- Glass tube construction, with nickel plated brass endcaps
- Fast-acting

AGC Small Dimension Fast-Acting Fuses										
Part Number	AMP Rating	Rated Voltage AC Max	AC Interrupting Rating*			Melting $I^2t$ **	Voltage Drop mv***	Pcs/Pkg	Package Weight (lb.)	Price
			250V	125V	32V					
AGC-1	0.10	250V	35A	10000A	—	0.000787	6.00	5	0.035	<--->
AGC-125	0.125					0.00131	4.67			<--->
AGC-25	0.25					0.0148	0.89			<--->
AGC-5	0.5					0.269	0.59			<--->
AGC-75	0.75					0.815	0.37			<--->
AGC1	1					1.615	0.31			<--->
AGC1-5	1.5					0.0149	0.27			<--->
AGC2	2					0.00509	0.28			<--->
AGC2-5	2.5					0.00879	0.31			<--->
AGC3	3					0.0167	0.025			<--->
AGC4	4	0.0305	0.22	<--->						
AGC5	5	0.045	0.23	<--->						
AGC6	6	0.071	0.23	<--->						
AGC7	7	0.105	0.23	<--->						
AGC7-5	7.5	—	—	<--->						
AGC8	8	0.152	0.19	<--->						
AGC10	10	0.492	0.20	<--->						
AGC15	15	32V	—	—	1000A	0.566	0.14	<--->		
AGC20	20					1.438	0.12	<--->		
AGC25	25					2.109	0.11	<--->		
AGC30	30					3.807	0.12	<--->		

\*Note: Interrupting ratings were measured at 70% - 80% power factor on AC, and at a time constant described in UL 198L.

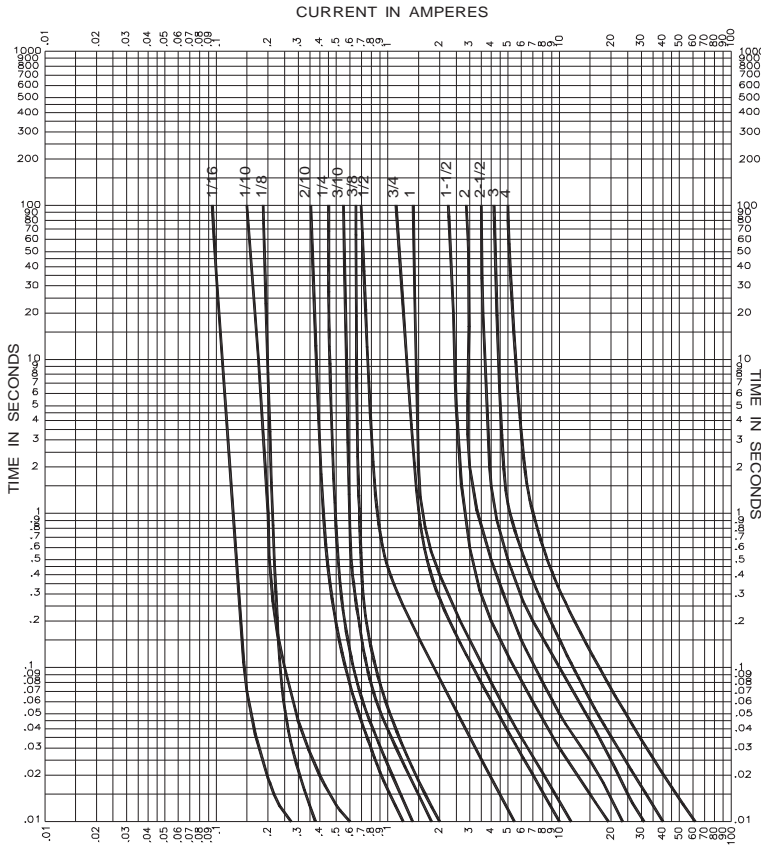
\*\* Typical Melting  $I^2t$  (A<sup>2</sup>Sec) - measured at listed interrupting rating and rated voltage (at 70% to 80% power factor on AC)

\*\*\* Typical Voltage Drop - measured at 25°C ± 3°C ambient temperature at rated current.

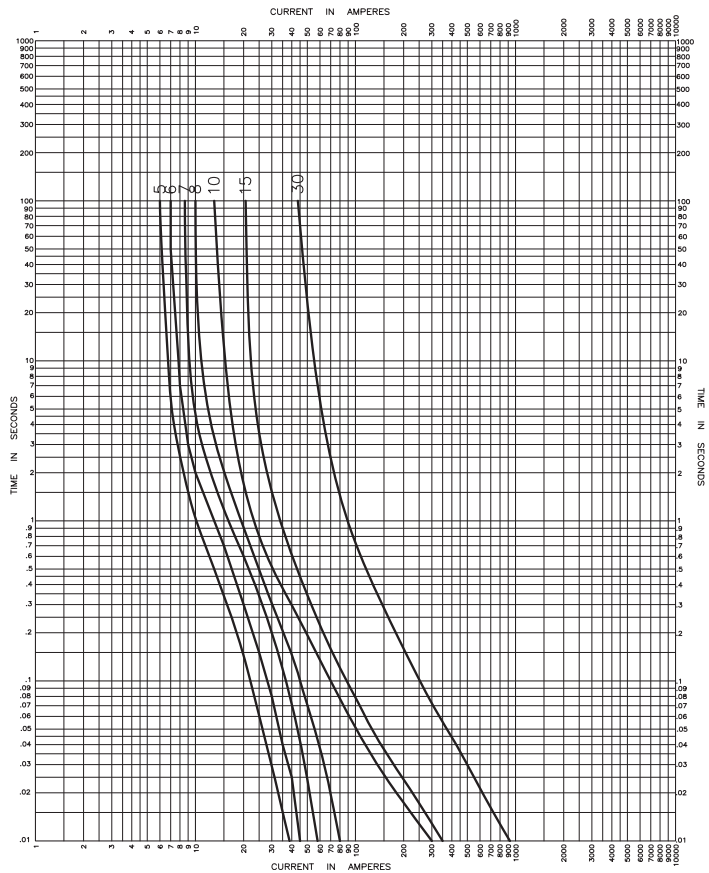
**For mounting and wiring AGC fuses see our DN-F6 Series fuse blocks in the Terminal Blocks and Wiring Solutions section.**

CROSS REFERENCE			
OLD EDISON	BUSSMANN	FERRAZ GOULD	LITTELFUSE
BGC	AGC	GGC	312

# Edison Fuses – Small Dimension Fast-Acting AGC

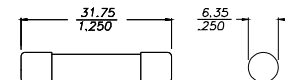


**TIME CURRENT CURVES**



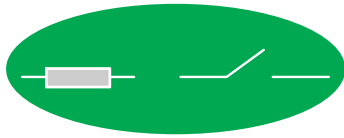
## Dimensions

(mm/inches)

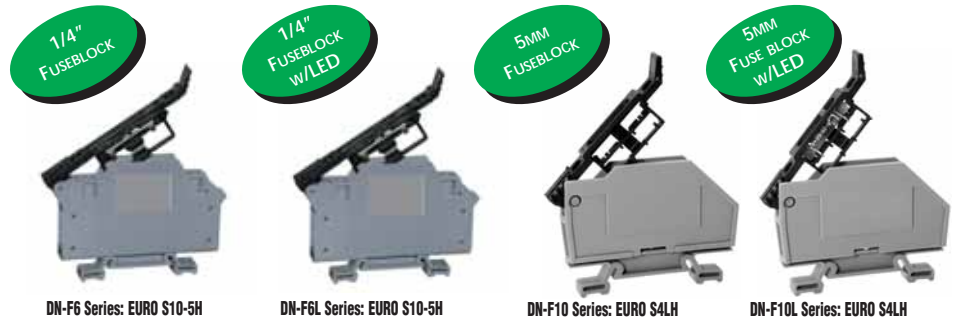


AGC Electrical Characteristics		
Rated Current	% of Amp Rating	Opening Time
0.1 to 30 Amps	100	None
	135	60 minutes maximum
	200	120 seconds maximum

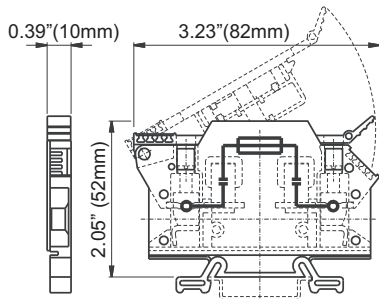
# Fuse Terminal Blocks



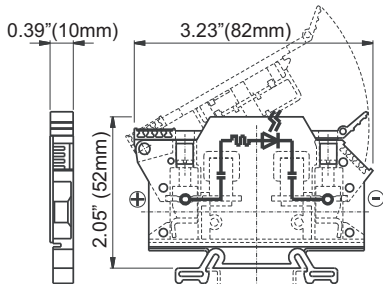
Fuse blocks are available for 1/4", 5 mm, Class CC and midget size fuses, either with or without a blown fuse LED. LED fuse blocks are polarity sensitive. The hinge side is positive.



## DN-F6



## DN-F6L



	Part #	Pcs/Pkg	Price/Pkg	Part #	Pcs/Pkg	Price/Pkg	Part #	Pcs/Pkg	Price/Pkg	Part #	Pcs/Pkg	Price/Pkg
<b>Gray Term Blk</b>	DN-F6	25	<--->	-	-	-	DN-F10	50	<--->	-	-	-
<b>12-24VAC/DC*</b>	-	-	-	DN-F6L24	10	<--->	-	-	-	DN-F10L24	10	<--->
<b>110VAC/DC*</b>	-	-	-	DN-F6L110	10	<--->	-	-	-	DN-F10L110	10	<--->
<b>220VAC/DC*</b>	-	-	-	DN-F6L220	10	<--->	-	-	-	DN-F10L220	10	<--->

### Fuse Terminal Blocks Specifications

<b>UL Approval<sup>1</sup></b>	600V 30A 20-6 AWG	600V 30A 20-6 AWG	300V 30A 24-10 AWG	300V 30A 24-10 AWG
<b>CSA Approval</b>	600V 30A 18-6 AWG	600V 30A 18-6 AWG	300V 8A 18-12 AWG	300V 8A 18-12 AWG
<b>VDE Approval</b>	750V 8A -	750V 8A -	500V 8A 4mm <sup>2</sup>	500V 8A 4mm <sup>2</sup>
<b>CE Conformity</b>	CE 23/20, CE 23/21	CE 23/20, CE 23/21	CE 23/20, CE 23/21	CE 23/20, CE 23/21
<b>Agency File#</b>	E179129, LR84816	E179129, LR84816	E179129, LR84816	E179129, LR84816
<b>Wire Strip Length</b>	0.47" (12mm)	0.47" (12mm)	0.39" (10mm)	0.39" (10mm)
<b>Tightening Torque</b>	18.0 lb-in (2.0Nm)	18.0 lb-in (2.0Nm)	5.5 lb-in (0.6Nm)	5.5 lb-in (0.6Nm)
<b>Density</b>	30 pcs./ft. (100/m)	30 pcs./ft. (100/m)	30 pcs./ft. (100/m)	30 pcs./ft. (100/m)
<b>Fuse Size (not supplied)</b>	1 1/4" X 1/4"	1 1/4" X 1/4"	5x20mm-5x25mm	5x20mm-5x25mm
<b>Indicator Type</b>	Non-indicating	LED blown fuse indicator	Non-indicating	LED blown fuse indicator
<b>Temp./Relative Humidity</b>	Ambient air temperature: -25°C to -40°C (-13°F to -104°F) Relative humidity: 50% max. at 40°C (104°F), 90% max. at 20°C (-13°F)			

Note <sup>1</sup>: For copper wire only

### Accessories

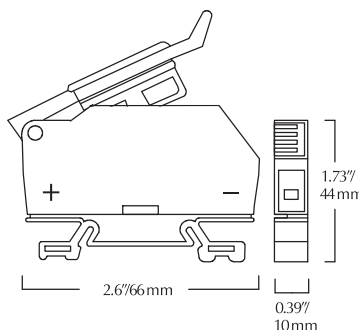
	Part#	Pcs/Pkg	Price/Pkg
<b>35 mm DIN Rail</b>	ADC Part No. DN-R35S1 (7.5 mm) or DN-R35HS1 (15 mm)		various
<b>End Bracket</b>	DN-EB35	50	<--->
	DN-EB35MN	20	<--->
<b>End Cover</b>	Included	-	-
<b>Marking Tags</b>	DN-L**/DN-LT*** series	500/100	various
<b>Angled Support Bracket</b>	DN-ASB1	50	<--->

Notes: \*Working voltage \*\* On lever arm \*\*\* On Terminal body

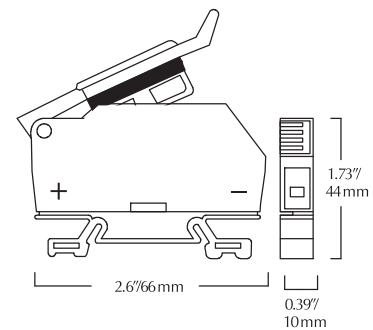
Note: DN-F6 series fuse holders will accommodate the following AutomationDirect fuses: ABC, AGC, MDA and MDL.

DN-F10 series fuse holders will accommodate the following AutomationDirect fuses: GMA, GMC, S500, and S506.

## DN-F10



## DN-F10L



For more information on accessories, see pages 26-20 through 26-22.