

Edison Fuses – General Purpose Midget Class MCL



Features

- Provide supplemental protection to end-use equipment
- Compact dimensions
- High interrupting rating
- Fast-acting design responds quickly to both overloads and short-circuit current

Applications

Control circuits, electronic equipment protection, street lighting holders, and HID lighting

MCL Specifications

Fast-Acting

Voltage Rating: MCL - 600 VAC

Ampere Rating: 0.5 - 50 Amps

Interrupting Rating: 100,000 RMS Amps

Agency Approvals

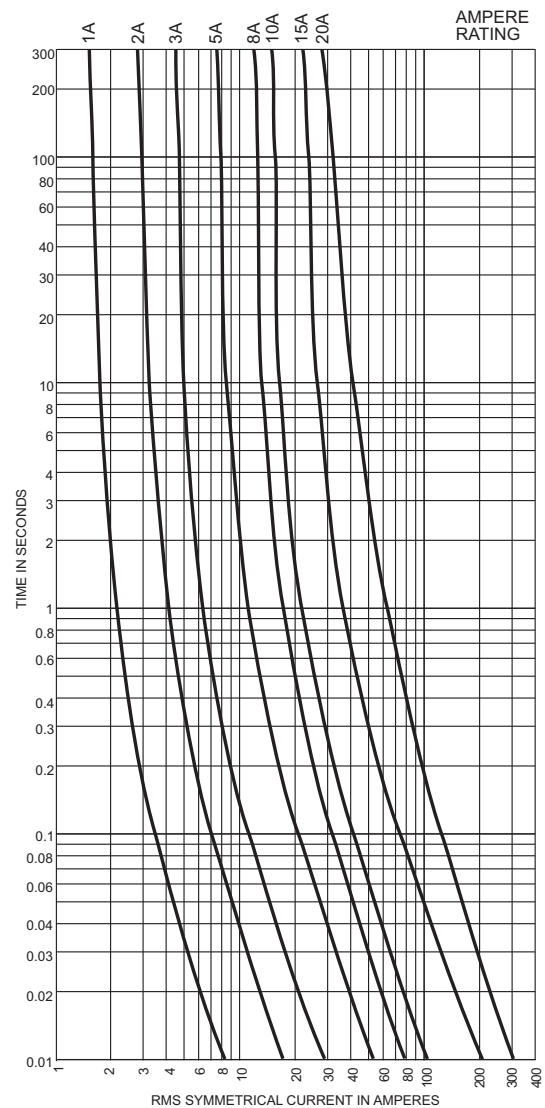
- (0.5 - 30) UL Listed, File E162443
- (0.5 - 30) CSA Certified C22.2, Part 59.2, LR700489
- CE Compliant

MCL General Purpose Midget Class Fuses				
Part Number	AMP Rating	Pcs/Pkg	Package Weight	Price
MCL-5	0.5	10	0.2 lb	<-->
MCL1	1			<-->
MCL1-5	1.5			<-->
MCL2	2			<-->
MCL2-5	2.5			<-->
MCL3	3			<-->
MCL3-5	3.5			<-->
MCL4	4			<-->
MCL5	5			<-->
MCL6	6			<-->
MCL8	8			<-->
MCL10	10			<-->
MCL12	12			<-->
MCL15	15			<-->
MCL20	20			<-->
MCL25	25			<-->
MCL30	30			<-->
MCL35	35	<-->		
MCL40	40	<-->		
MCL50	50	<-->		

DIMENSIONS		
Amps	Ferrule (in)	Length (in)
0.5 - 50	13/32	1-1/2

CROSS REFERENCE			
EDISON	BUSSMANN	GOULD	LITTELFUSE
MCL	KTK	ATM	KLK

Characteristic Curves



Edison Fuses – Fuse Holders

Features

- Multiple-pole configurations
- Finger-safe protection
- Optional “open-fuse” indication
- Polyester material is UL 94V-0 rated, self-extinguishing
- Multi-phase connections available for ganging poles
- CE marking



Application

CHM: Edison MCL, MOL, MEQ, MEN midget fuses.

CHCC: Edison HCLR, HCTR, EDCC fuses

Agency Approvals Class CC

- UL Listed to 512, Guide IZLT, File E14853
- CSA Certified, Std. C22.2 No. 39, Class 6225-01, File LR47235
- IEC 60269
- IEC 60947
- CE Compliant

Agency Approvals Midget

- UL Recognized to 512, Guide IZLT2, File E14853
- CSA Certified, Std. C22.2 No. 39, Class 6225-01, File LR47235
- IEC 60269
- IEC 60947
- CE Compliant

Modular Fuseholder Selection Table																
Series Size	Max Voltage & Current	IEC	UL	CSA	Phase Configuration	No. of 17.5mm Modules	Fuse Holder Without Indication	Box Qty.	Pc. Wt. (lbs.)	Price	Fuse Holder with Neon Indication	Box Qty.	Pc. Wt. (lbs.)	Price	Wire Range	Maximum Torque
CHM Midget Class	UL/CSA 600 VAC/DC, 30A (3 Watt) IEC 690 VAC, 32A	•	†	•	1 pole	1	CHM1D	12	0.14	<--->	CHM1DI	12	0.14	<--->	1-16mm ² (18-8 AWG)	2.5 Nm (22 lb-in)
		•	†	•	2 pole	2	CHM2D	6	0.3	<--->	CHM2DI	6	0.3	<--->.25		
		•	†	•	3 pole	3	CHM3D	4	0.4	<--->	CHM3DI	4	0.4	<--->		
CHCC Class CC	UL/CSA 600VAC/DC, 30A		††	•	1 pole	1	CHCC1D	12	0.14	<--->	CHCC1DI	12	0.14	<--->		
			††	•	2 pole	2	CHCC2D	6	0.3	<--->	CHCC2DI	6	0.3	<--->		
			††	•	3 pole	3	CHCC3D	4	0.4	<--->	CHCC3DI	4	0.4	<--->		

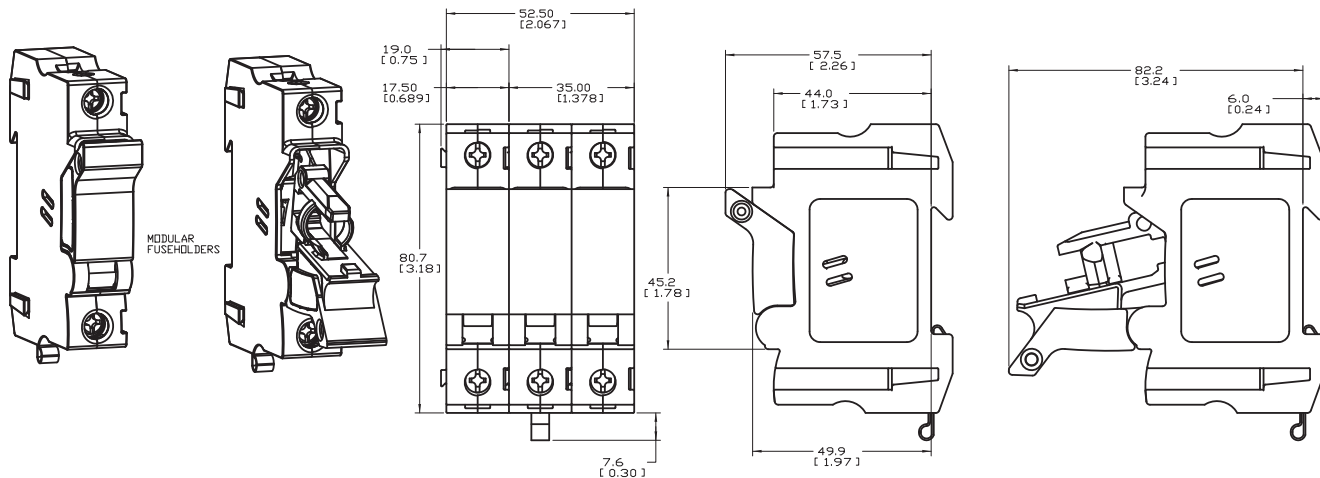
• Holder width as compared to standard 17.5mm module (1 = 17.5mm, 2 = 35mm)

† UL Recognized

†† UL Listed

Fuse Holders Dimensions

mm[inches]



Edison Fuses – Fuse Blocks

Description

These panel-mount fuse blocks are for use with Class CC Fuses (Edison EDCC, HCTR and HCLR).



Specifications

Terminal type: Pressure plate with quick connect terminal

Base: Thermoplastic

Clips: Bright tin-plated bronze

UL Flammability: 94V-0

Ratings: 600 VAC, 30 Amps

Agency Approvals

- UL listed to 512, Guide IZLT, File 14853
- CSA C22.2 No. 39 Class 6225-01, File LR47235
- CE Compliant

BC Series Fuseblocks						
Part Number	Amps	Poles	AWG	Pcs/Pkg	Wt. (lbs.)	Price
BC6031PQ	0.1 to 30	1	18 - 8	10	0.1	<--->
BC6032PQ		2		8	0.16	<--->
BC6033PQ		3		6	0.22	<--->

CROSS REFERENCE				
EDISON	OLD EDISON	BUSSMANN	GOULD	LITTELFUSE
BC6031PQ	EMR631-77	BC6031PQ	30321R	L60030C-1PQ
BC6032PQ	EMR632-77	BC6032PQ	30322R	L60030C-2PQ
BC6033PQ	EMR633-77	BC6033PQ	30323R	L60030C-3PQ

Description

These panel-mount fuse blocks are for use with any 13/32" x 1-1/2" Class M Fuses (Edison MCL, MEQ, MEN and MOL).



Specifications

Terminal type: Pressure plate with quick connect terminal

Base: Thermoplastic

Clips: Bright tin-plated bronze

UL Flammability: 94V-0

Ratings: 600 VAC, 30 Amps

Agency Approvals

- UL Recognized to 512, Guide IZLT2, File E14853
- CSA C22.2, No.39, Class 6225-01, File 47235

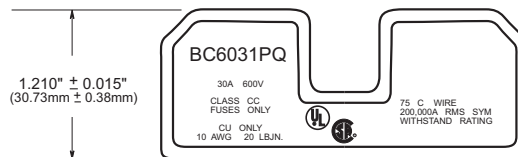
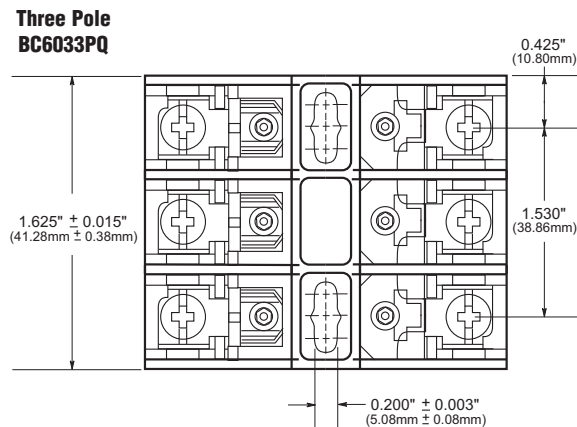
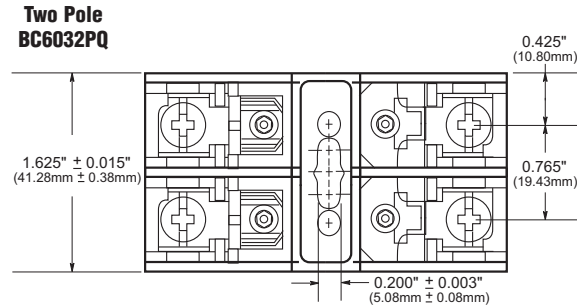
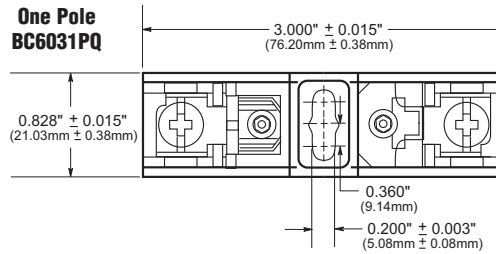
BM Series Fuseblocks						
Part Number	Amps	Poles	AWG	Pcs/Pkg	Wt. (lbs.)	Price
BM6031PQ	0.1 to 30	1	18 - 8	10	0.1	<--->
BM6032PQ		2		8	0.16	<--->
BM6033PQ		3		6	0.22	<--->

CROSS REFERENCE				
EDISON	OLD EDISON	BUSSMANN	GOULD	LITTELFUSE
BM6031PQ	EM631-44	BM6031PQ	30321	L60030M-1PQ
BM6032PQ	EM632-44	BM6032PQ	30322	L60030M-2PQ
BM6033PQ	EM633-44	BM6033PQ	30323	L60030M-3PQ

Edison Fuses – Fuse Block Dimensions

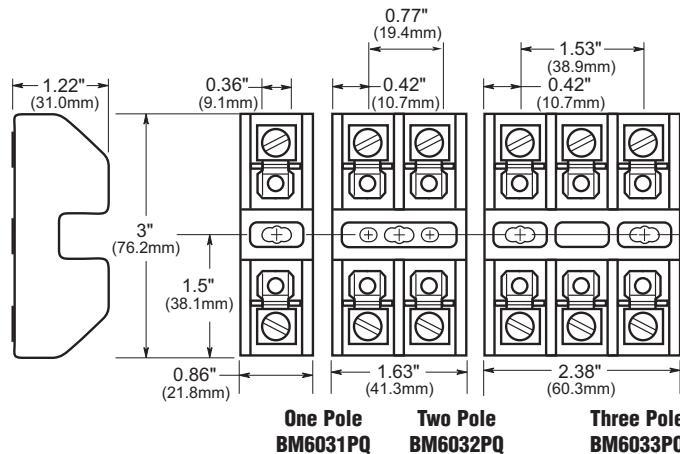
CC Class Dimensions -

inches(mm)



M Class Dimensions

inches(mm)



PLC Overview

DL05/06 PLC

DL105 PLC

DL205 PLC

DL305 PLC

DL405 PLC

Field I/O

Software

C-more HMIs

Other HMI

AC Drives

Motors

Steppers/Servos

Motor Controls

Proximity Sensors

Photo Sensors

Limit Switches

Encoders

Current Sensors

Pushbuttons/Lights

Process

Relays/Timers

Comm.

TB's & Wiring

Power

Circuit Protection

Enclosures

Appendix

Part Index

Edison Fuses – Accessories



FP2

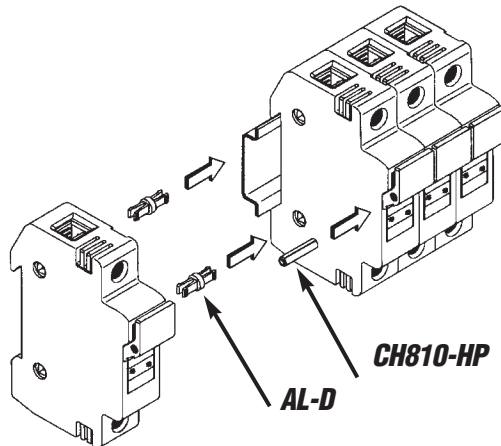


AL-D



CH810-HP

Accessories			
Part Number	Description	Pcs/Pkg	Price
FP-2	Fuse puller for fuse dia. 13/32" - 13/16". Fuse type: 0-60A, 250V; 0-30A, 600V	1	<--->
AL-D	Plastic connection link for connecting 2 poles of CHM or CHCC holders. 2 links required per connection.	12	<--->
CH810-HP	Metal handle pins for connecting 2 poles of CHM or CHCC holders. 1 pin required per connection.	12	<--->



Edison Cross Reference Guide

CROSS REFERENCE GUIDE By manufacturers type reference or series number. Ampere ratings must be added for ordering purposes.								
		VOLT	EDISON	BRUSH/ DORMAN	BUSSMANN	FERRAZ GOULD	GEC/CEFCO	LITTELFUSE
UL CLASS CURRENT LIMITING FUSES (GSA CLASS)								
CC (HRCI-CC)	Time-Delay	600	EDCC		LP-CC	ATDR		CCMR
	Time-Delay	600	HCTR		FNQ-R	ATQR		KLDR
	Fast-Acting	600	HCLR	HCLR	KTK-R	ATMR	CTK-R	KLKR
	Time-Delay RK1 Dual Element	250	LENRK		LPN-RK-SP	A2DR		LLNRK
		600	LENSK		LPS-RK-SP	A6DR		LLSRK
	Time-Delay RK5 Dual Element	250	ECNR		FRN-R	TR		FLNR
		600	ECSR		FRS-R	TRS		FLSR
Time-Delay J Dual Element	600	JDL		LPJ	AJT		JTD	
UL CLASS GENERAL PURPOSE FUSES								
Midget	Fast-Acting	600	EBS	EBS	BBS	SBS		BLS
		600	MCL	MCL	KTK	ATM	CTK	KLK
		250	MOL	MOL	BAF/BAN	OTM		BLF
	Time-Delay	500	MEQ	MEQ	FNQ	ATQ		FLQ
		250	MEN	MEN	FNM	TRM		FLM
1/4"x1/4" Ceramic	Fast-Acting	250/125	ABC	ABC	ABC	GAB		314
		1/4"x1/4" Glass	250/32	AGC	AGC	AGC	GGC	
1/4"x1/4" Ceramic	Time-Delay	250	MDA	MDA	MDA	none		326
		1/4"x1/4" Glass	250/32	MDL	MDL	MDL	GDL	
5x20 mm Glass	Fast-Acting	250/125	GMA	GMA	GMA	GGM		235
	Medium Time-Delay	250/125	GMC	GMC	GMC	GSC		none
5x20 mm Glass	Fast-Acting	250	S500	BDB	GDB	GSB		217
	Time-Delay	250	S506	BDC	GDC	GDG		218
Fuse Puller								
Fuse Puller FP-2			old - 38072 new - FP-2		FP-2			