

# Edison Fuses – Dual Element Time-Delay Class RK1



LENRK20 LENRK100 LESRK5 LESRK100

## LENRK/LESRK Features

- True dual - element spring - trigger construction allows sizing of 125% FLA for motor backup protection
- Superior overload and cycling capabilities
- Extremely current limiting; provides superior short circuit component protection

## Applications

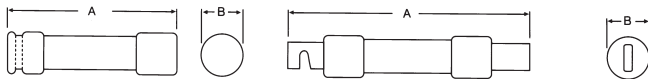
- Recommended for AC power distribution system mains, feeders, and branch circuits
- Protection of motors and motor branch circuits
- Type 2 protection for IEC components
- All general-purpose applications including lighting, heating and other non-inductive loads

## LENRK/LESRK Dimensions

Dimensions (inches)			
Catalog Number	Amps	Overall Length	Max Diameter
		A	B
<b>LENRK series 250V</b>	10-30	2in (50.8mm)	0.56in (14.2mm)
	35-60	3in (76.2mm)	0.81in (20.6mm)
	70-100	5.88in (149.4mm)	1.10in (27.9mm)
	110-200	7.13in (181.1mm)	1.61in (40.9mm)
	225-400	8.63in (219.2mm)	2.36in (59.9mm)
	450-600	10.38in (263.7mm)	2.88in (73.2mm)
<b>LESRK series 600V</b>	5-30	5in (127mm)	0.81in (20.6mm)
	35-60	5.5in (139.7mm)	1.06in (26.9mm)
	70-100	7.88in (200.2mm)	1.11in (28.2mm)
	110-200	9.63in (244.6mm)	1.61in (40.9mm)
	225-400	11.63in (295.4mm)	2.36in (59.9mm)
	450-600	13.38in (339.9mm)	2.88in (73.2mm)

Ferrule Design – 5 through 60 Amperes

Knife Blade – 70 through 600 Amperes



CROSS REFERENCE				
VOLTS	EDISON	BUSSMANN	FERRAZ GOULD	LITTELFUSE
250	LENRK	LPN-RK-SP	A2DR	LLNRK
600	LESRK	LPS-RK-SP	A6DR*	LLSRK

\*Not dual element 110 - 600 Amp

LENRK/LESRK series fuses have up to 40% more current limitation and up to 350% more Amps-Squared-Second (I<sup>2</sup>t) limitation under fault conditions than ECNR/ECSR series fuses, reducing the potential for damage. They also offer a better selection for electrical power system designers and superior short circuit protection for breakers having inadequate interrupting ratings. ECNR/ECSR and LENRK/LESRK fuse lines are physically interchangeable (and electrically interchangeable per U.L. equipment listing conditions). We recommend them as a practical, economical way to upgrade systems in many situations.

### Interrupting Rating:

200,000 RMS Symmetrical Amps

### Self-Certified Interrupting Rating:

300,000 RMS Symmetrical Amps

### Self-Certified DC Ratings:

Voltage Rating: LENRK (10-600) 125 VDC

LESRK (5-30) 200 DC; (35-600A) 300 VDC

Interrupting Rating: LENRK/LESRK 20,000 Amperes DC

### Current Limiting: RK1 Fuse

### Agency Approvals:

- UL Listed, Class RK1, Guide JDDZ, File E162363
- CSA Certified HRCI-R per C22.2, No. 248.12

## Specifications

Voltage Rating: LENRK: 250 VAC  
LESRK: 600 VAC

Ampere Rating: LENRK: 10 - 600 Amps  
LESRK: 5 - 600 Amps

LENRK Series Dual-element Time-delay Fuses						
Part Number	AMP Rating	Rated Voltage AC Max	Pcs/Pkg	Package Weight	Price	
LENRK10	10	250V	10	0.50 lb	<--->	
LENRK15	15				<--->	
LENRK20	20				<--->	
LENRK30	30				<--->	
LENRK60	60				1.24 lb	<--->
LENRK100	100				5	1.90 lb
LENRK200	200		1	0.90 lb	<--->	
LENRK300	300				2.00 lb	<--->
LENRK400	400				<--->	
LENRK500	500				3.00 lb	<--->
LENRK600	600	<--->				

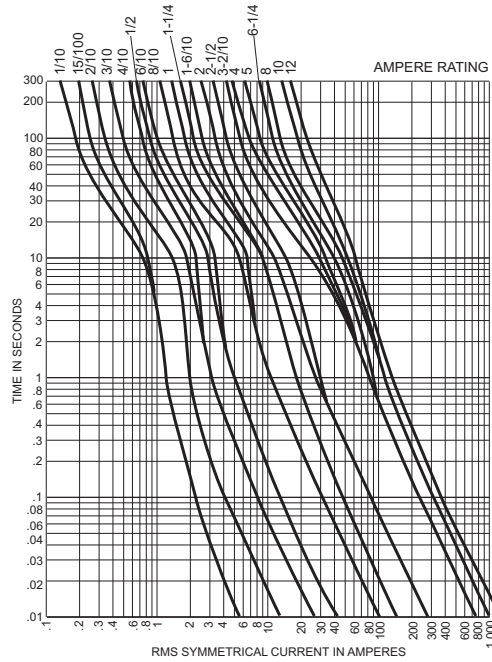
LESRK Series Dual-element Time-delay Fuses						
Part Number	AMP Rating	Rated Voltage AC Max	Pcs/Pkg	Package Weight	Price	
LESRK5	5	600V	10	1.60 lb	<--->	
LESRK10	10				<--->	
LESRK15	15				<--->	
LESRK20	20				<--->	
LESRK25	25				<--->	
LESRK30	30				<--->	
LESRK40	40		5	3.05 lb	<--->	
LESRK50	50				3.10 lb	<--->
LESRK60	60				<--->	
LESRK100	100				1.50 lb	<--->
LESRK200	200	1.10 lb			<--->	
LESRK300	300	1	2.40 lb	<--->		
LESRK400	400			<--->		
LESRK500	500			<--->		
LESRK600	600			3.40 lb	<--->	

# Edison Fuses – Dual Element, Time-Delay Class RK1

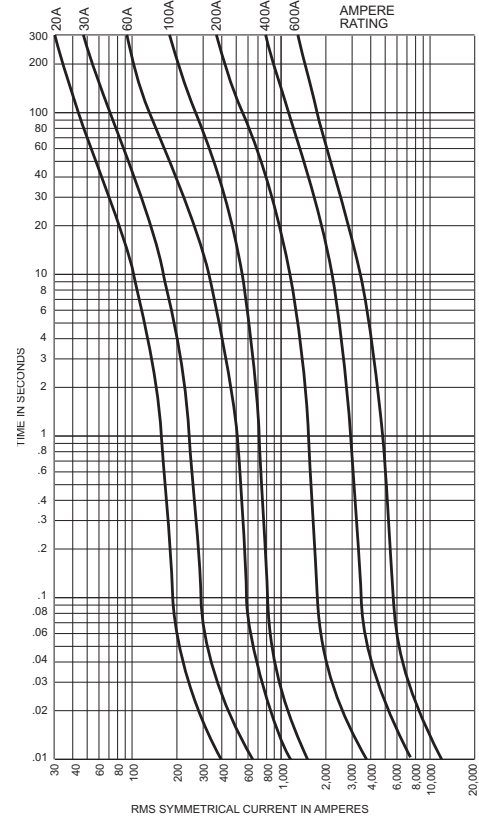
LENRK/LESRK

Average Time/Current Curves

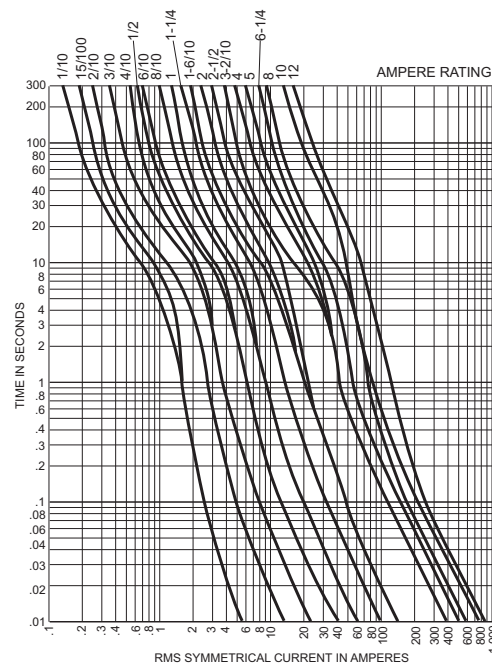
LENRK (AMP) 250 VAC



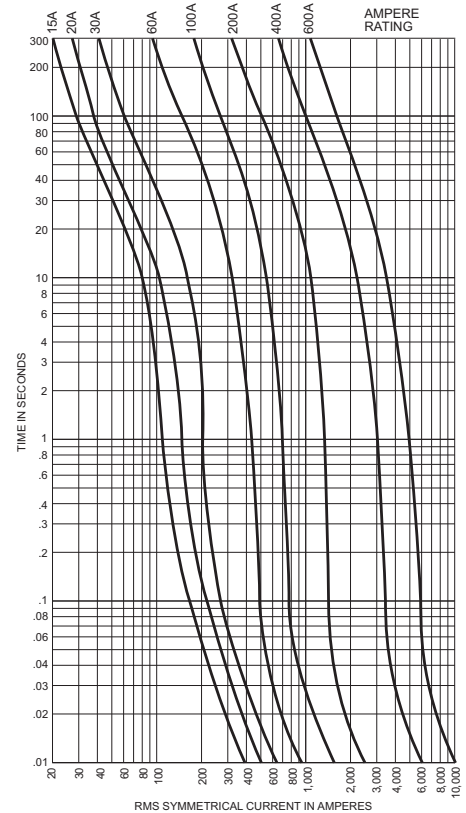
LENRK (250 VAC)



LESRK (AMP) 600VAC



LESRK (600VAC)



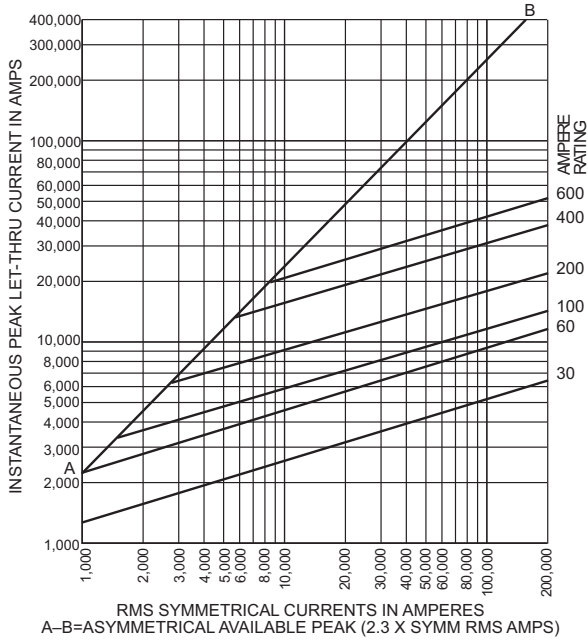
TIME IN SECONDS

- PLC Overview
- DL05/06 PLC
- DL105 PLC
- DL205 PLC
- DL305 PLC
- DL405 PLC
- Field I/O
- Software
- C-more HMIs
- Other HMI
- AC Drives
- Motors
- Steppers/Servos
- Motor Controls
- Proximity Sensors
- Photo Sensors
- Limit Switches
- Encoders
- Current Sensors
- Pushbuttons/Lights
- Process
- Relays/Timers
- Comm.
- TB's & Wiring
- Power
- Circuit Protection**
- Enclosures
- Appendix
- Part Index

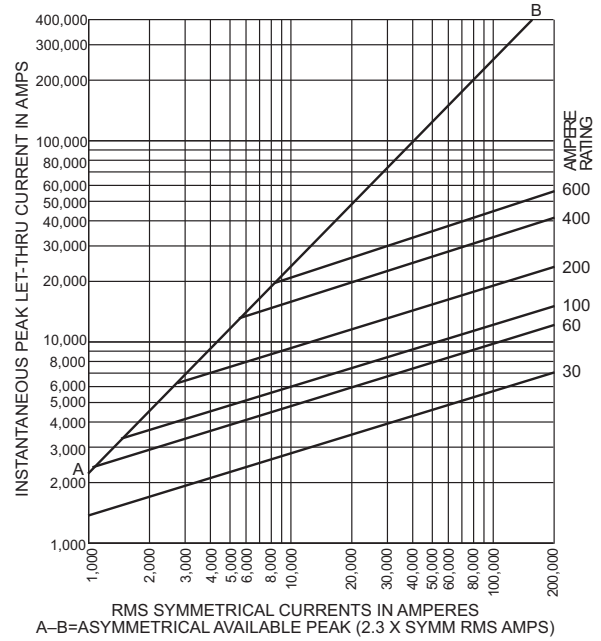
# Edison Fuses – Dual Element Time-Delay Class RK1

## PEAK LET-THROUGH CURRENT CURVES\*

LENRK (250V)



LESRK (600V)



\*Curves test data obtained at 15% short-circuit power factor when possible.

## CURRENT LIMITATION TABLES

LENRK (250V)\* RMS & Peak Let-Thru Currents (kA)

Available Fault current RMS Amperes	Apparent Effective Let-Thru Amperes (kA)											
	30		60		100		200		400		600	
	I <sub>RMS</sub>	I <sub>p</sub>	I <sub>RMS</sub>	I <sub>p</sub>	I <sub>RMS</sub>	I <sub>p</sub>	I <sub>RMS</sub>	I <sub>p</sub>	I <sub>RMS</sub>	I <sub>p</sub>	I <sub>RMS</sub>	I <sub>p</sub>
1,000	1	1	1	2	1	2	1	2	1	2	1	2
2,000	1	2	1	3	2	4	2	5	2	5	2	5
3,000	1	2	1	3	2	4	3	6	3	7	3	7
5,000	1	2	2	4	2	5	3	7	5	12	5	12
10,000	1	3	2	4	2	6	4	9	7	15	9	21
15,000	1	3	2	5	3	6	4	10	7	17	10	23
20,000	1	3	2	6	3	7	5	11	8	19	11	25
25,000	1	3	3	6	3	7	5	12	9	20	12	27
30,000	2	3	3	6	3	8	5	12	9	21	13	29
35,000	2	4	3	7	4	8	6	13	10	22	13	30
40,000	2	4	3	7	4	9	6	13	10	23	13	31
50,000	2	4	3	7	4	9	6	14	10	24	14	33
60,000	2	4	3	8	4	10	7	15	11	26	15	35
70,000	2	4	3	8	4	10	7	16	12	27	16	36
80,000	2	5	4	8	5	11	7	16	12	28	17	38
90,000	2	5	4	9	5	11	7	17	13	29	17	39
100,000	2	5	4	9	5	11	8	18	13	30	17	40
150,000	2	6	4	10	5	13	8	19	16	36	20	46
200,000	3	6	5	11	6	14	9	21	18	42	22	50

LESRK (600V)\* RMS & Peak Let-Thru Currents (kA)

Available Fault current RMS Amperes	Apparent Effective Let-Thru Amperes (kA)											
	30		60		100		200		400		600	
	I <sub>RMS</sub>	I <sub>p</sub>	I <sub>RMS</sub>	I <sub>p</sub>	I <sub>RMS</sub>	I <sub>p</sub>	I <sub>RMS</sub>	I <sub>p</sub>	I <sub>RMS</sub>	I <sub>p</sub>	I <sub>RMS</sub>	I <sub>p</sub>
1,000	1	1	1	2	1	2	1	2	1	2	1	2
2,000	1	2	1	3	2	4	2	4	2	4	2	4
3,000	1	2	1	3	2	4	3	6	3	7	3	7
5,000	1	2	2	4	2	5	3	7	5	12	5	12
10,000	1	3	2	5	3	6	4	9	7	16	9	21
15,000	1	3	2	5	3	7	5	11	8	18	10	24
20,000	1	3	3	6	3	7	5	12	8	19	11	26
25,000	2	4	3	6	3	8	5	12	9	21	12	28
30,000	2	4	3	6	4	8	6	13	10	22	13	30
35,000	2	4	3	7	4	9	6	14	10	23	13	31
40,000	2	4	3	7	4	9	6	14	10	24	14	32
50,000	2	5	3	8	4	10	7	15	11	26	15	35
60,000	2	5	3	8	4	10	7	16	12	28	16	37
70,000	2	5	4	8	5	11	7	17	13	29	17	39
80,000	2	5	4	9	5	11	8	18	13	30	17	40
90,000	2	5	4	9	5	12	8	18	13	31	18	42
100,000	2	6	4	9	5	12	8	19	14	32	19	44
150,000	3	6	5	11	6	14	9	21	16	36	22	50
200,000	3	7	5	12	7	15	10	23	17	40	23	54

\*\*\*Apparent Let-Thru Amperes" values are read from "Peak Let-Through Current Curves" and the peak current value divided by 2.3 Asymmetry Factor.

# Edison Fuses – Fuse Blocks for Class RK Fuses



**R25030-1SR**



**R60030-1SR**

## Description

For use with Edison LENRK and ECNR, R250; Edison LESRK and ECSR, R600, Class R fuses

Terminal type

- SR = Screw type, clip with re-inforced spring.
- CR = Box lug type, clip with reinforced spring

## Agency Approvals

- UL Listed, UL 512, Guide IZLT, File E14853
- CSA, Certified, C22.2 No.39 Class 6225-01, File 47235

## Specifications

Construction: Thermoplastic

UL Flammability: 94V-0

Voltage Ratings:

R250: 250 Volts AC; R600: 600 Volts AC

Ampere Ratings: 0.10 - 600 Amps

Short-circuit current Rating: 200,000 RMS

Symmetrical Amps

R250 Series Fuseblocks (250V)							
Part Number	Amps	Poles	Maximum Wire Size	Fig #	Pcs/Pkg	Wt. (lbs.)	Price
<b>R25030-1SR</b>	0.1 to 30	1	#10-18 Cu	1	1	0.10	<-->
<b>R25030-2SR</b>		2		2		0.25	<-->
<b>R25030-3SR</b>		3		3		0.30	<-->
<b>R25060-1CR</b>	31 to 60	1	#2-14 Cu #2-8 Al	4		0.23	<-->
<b>R25060-2CR</b>		2		5		0.44	<-->
<b>R25060-3CR</b>		3		6		0.45	<-->
<b>R25100-1CR</b>	61 to 100	1	1/0-8 Cu-Al	7		0.60	<-->
<b>R25100-2CR</b>		2		8		1.00	<-->
<b>R25100-3CR</b>		3		9		1.50	<-->
<b>R25200-1CR</b>	101 to 200	1	250MCM-6 Cu-Al	See Table 1 below then refer to Figure #	2.20	<-->	
<b>R25200-3CR</b>		3			5.30	<-->	
<b>R25400-1CR</b>	201 to 400	1	500MCM-4 Cu-Al	See Table 1 below then refer to Figure #	2.90	<-->	
<b>R25400-3CR*</b>		3			10.70	<-->	
<b>R25600-1CR</b>	401 to 600	1	(2) 500MCM-4/0 Cu-Al	See Table 1 below then refer to Figure #	5.80	<-->	
<b>R25600-3CR*</b>		3			20.70	<-->	

\* Not UL, Please use (3) J60600-1CR to assemble a 3 pole UL Fuseblock

R600 Series Fuseblocks (600V)							
Part Number	Amps	Poles	Maximum Wire Size	Fig #	Pcs/Pkg	Wt. (lbs.)	Price
<b>R60030-1SR</b>	0.1 to 30	1	#10-18 Cu only	13	1	0.24	<-->
<b>R60030-2SR</b>		2		14		0.44	<-->
<b>R60030-3SR</b>		3		15		0.40	<-->
<b>R60060-1CR</b>	31 to 60	1	#2-14 Cu #2-8 Al	16		0.30	<-->
<b>R60060-2CR</b>		2		17		0.60	<-->
<b>R60060-3CR</b>		3		18		0.85	<-->
<b>R60100-1CR</b>	61 to 100	1	1/0-8 Cu-Al	19		1.00	<-->
<b>R60100-2CR</b>		2		20		1.50	<-->
<b>R60100-3CR</b>		3		21		2.30	<-->
<b>R60200-1CR</b>	101 to 200	1	250MCM-6 Cu-Al	See Table 2 below then refer to Figure #	0.50	<-->	
<b>R60200-3CR</b>		3			4.95	<-->	
<b>R60400-1CR</b>	201 to 400	1	500MCM-4 Cu-Al	See Table 2 below then refer to Figure #	4.10	<-->	
<b>R60400-3CR*</b>		3			9.85	<-->	
<b>R60600-1CR</b>	401 to 600	1	(2) 500MCM-4/0 Cu-Al	See Table 2 below then refer to Figure #	7.50	<-->	
<b>R60600-3CR*</b>		3			17.30	<-->	

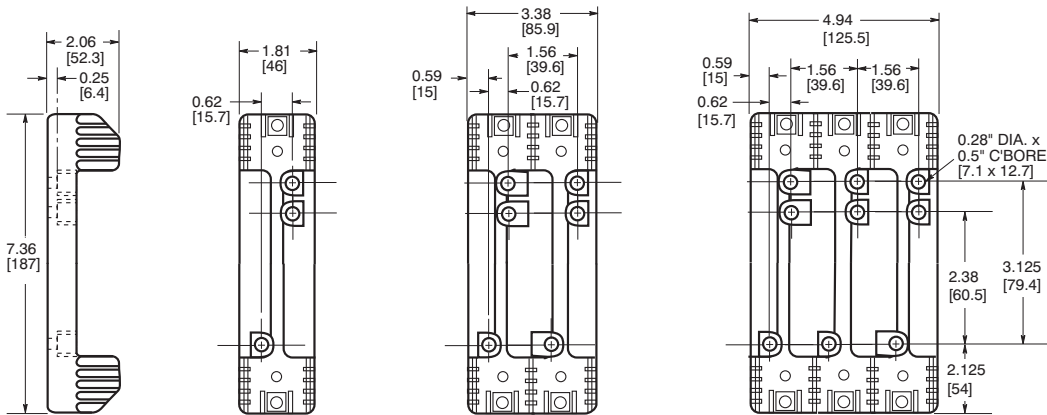
\* Not UL, Please use (3) J60600-1CR to assemble a 3 pole UL Fuseblock

# Edison Fuses – R250 Fuse Blocks for Class RK Fuses

## Dimensions

inches (mm)

### 250V, 61 Amp to 100 Amp

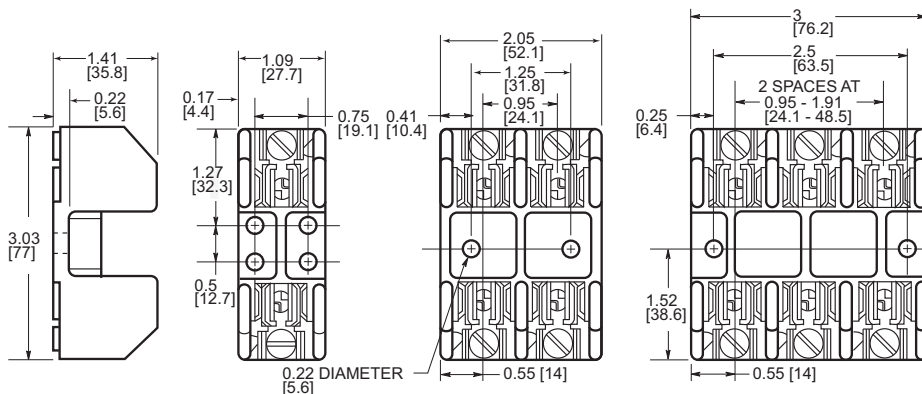


**Figure 7**

**Figure 8**

**Figure 9**

### 250V, 0.1 Amp to 30 Amp

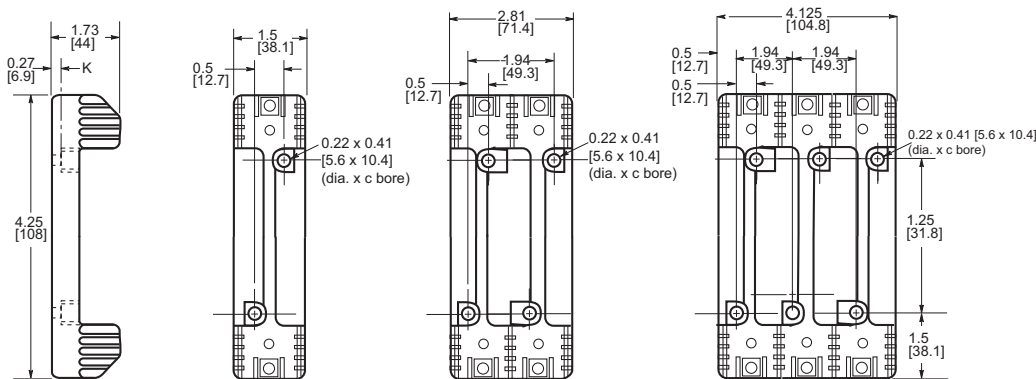


**Figure 1**

**Figure 2**

**Figure 3**

### 250V, 31 Amp to 60 Amp



**Figure 4**

**Figure 5**

**Figure 6**

*Note: All dimensions shown in inches [mm]*

- PLC Overview
- DL05/06 PLC
- DL105 PLC
- DL205 PLC
- DL305 PLC
- DL405 PLC
- Field I/O
- Software
- C-more HMIs
- Other HMI
- AC Drives
- Motors
- Steppers/Servos
- Motor Controls
- Proximity Sensors
- Photo Sensors
- Limit Switches
- Encoders
- Current Sensors
- Pushbuttons/Lights
- Process
- Relays/Timers
- Comm.
- TB's & Wiring
- Power
- Circuit Protection
- Enclosures
- Appendix
- Part Index

# Edison Fuses – R250 Fuse Blocks for Class RK Fuses

Table 1 (250V)										
	Fig #	A	B	C	D	E	F	G	H	K
<b>R25200-1CR</b>	10	7.15in (181.6mm)	3.15in (80mm)	3.0in (76.2mm)	2.06in (52.3mm)	0.5in (12.7mm)	2.0in (50.8mm)	3.0in (76.2mm)	0.75in (19.05mm)	0.31in (7.9mm)
<b>R25200-3CR</b>	11	Dimensions on Figure								
<b>R25400-1CR</b>	10	9.06in (230.1mm)	4.0in (101.6mm)	3.0in (76.2mm)	3.02in (76.7mm)	0.91in (23.1mm)	1.75in (44.5mm)	3.0in (76.2mm)	1.0in (25.4mm)	0.31in (7.9mm)
<b>R25400-3CR</b>	12	9.06in (230.1mm)	4.0in (101.6mm)	4.0in (101.6mm)	2.5in (63.5mm)	0.82in (20.8mm)	9.25in (235mm)	10.88in (276.4mm)	1.0in (25.4mm)	0.56in (14.2mm)
<b>R25600-1CR</b>	10	11.0in (279.4mm)	4.97in (126.2mm)	3.0in (76.2mm)	4.0in (101.6mm)	1.125in (28.6mm)	1.75in (44.5mm)	4.0in (101.6mm)	1.0in (25.4mm)	0.56in (14.2mm)
<b>R25600-3CR</b>	12	11.0in (279.4mm)	4.97in (126.2mm)	5.0in (127mm)	3.0in (76.2mm)	1.87in (47.5mm)	11.0in (279.4mm)	14.74in (374.4mm)	1.0in (25.4mm)	0.56in (14.2mm)

## 250V, 101 Amp to 200 Amp

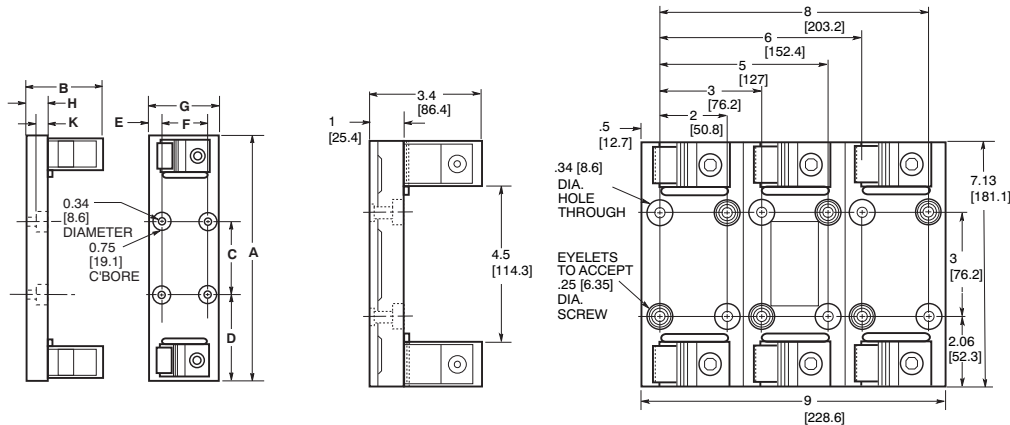


Figure 10

Figure 11

## 250V, 201 Amp to 600 Amp

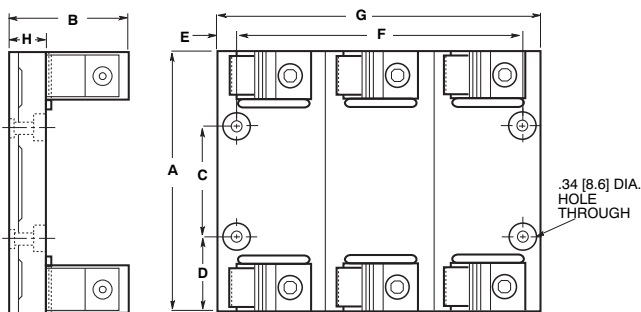


Figure 12

Note: All dimensions shown in inches [mm]

# Edison Fuses – R600 Fuse Blocks for Class RK Fuses

## Dimensions

inches (mm)

### 600V, 61 Amp to 100 Amp

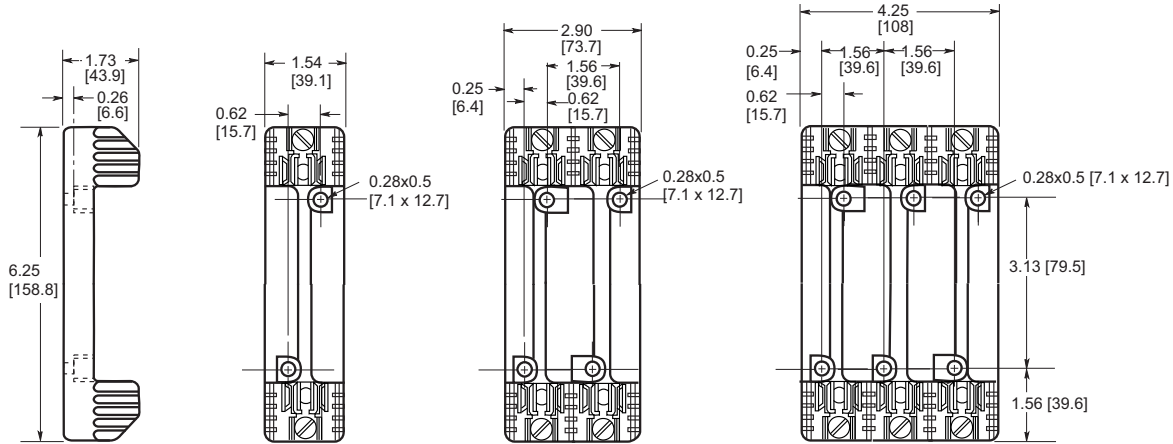


Figure 19

Figure 20

Figure 21

### 600V, 0.1 Amp to 30 Amp

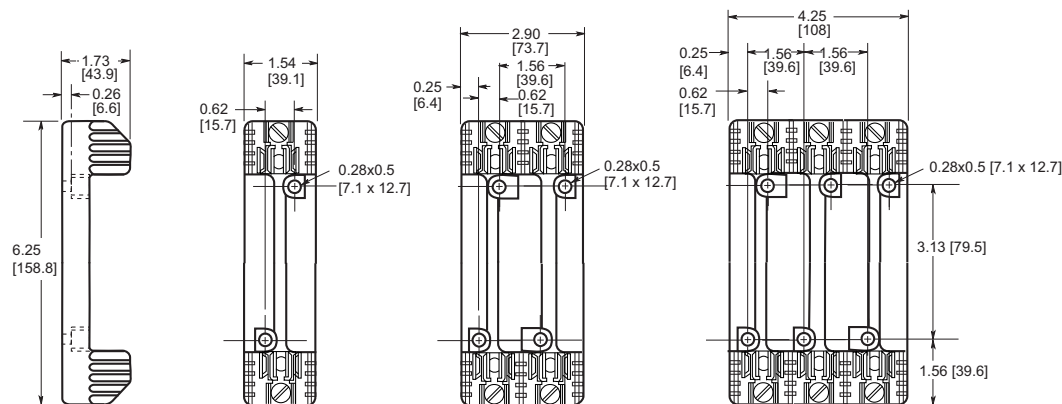


Figure 13

Figure 14

Figure 15

### 600V, 31 Amp to 60 Amp

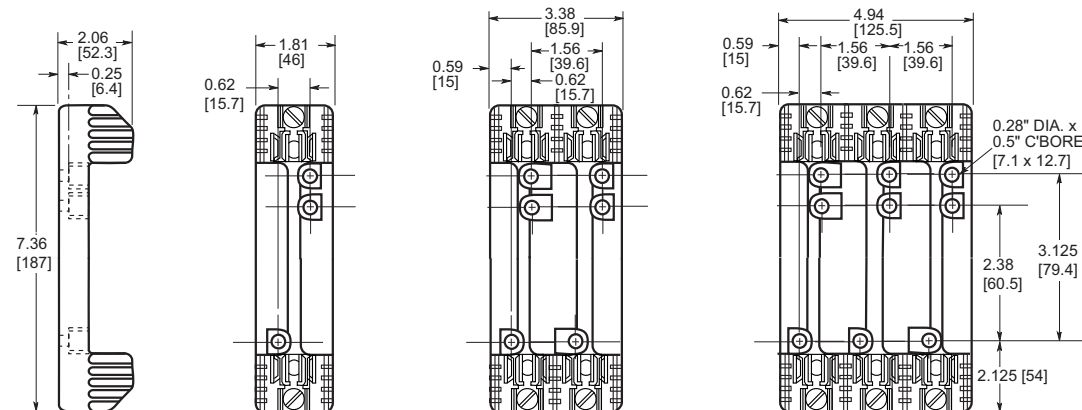


Figure 16

Figure 17

Figure 18

Note: All dimensions shown in inches [mm]



# Edison Fuses – R600 Fuse Blocks for Class RK Fuses

Table 2 (600V)										
	Fig #	A	B	C	D	E	F	G	H	K
<b>R60200-1CR</b>	22	9.63in (244.6mm)	3.09in (78.5mm)	3.0in (76.2mm)	3.31in (84.1mm)	0.5in (12.7mm)	2.0in (50.8mm)	3.0in (76.2mm)	0.75in (19.1mm)	0.31in (7.9mm)
<b>R60200-3CR</b>	23	Dimensions on Figure								
<b>R60400-1CR</b>	22	12.0in (305mm)	4.0in (102mm)	3.0in (76.2mm)	4.5in (114.3mm)	0.63in (16mm)	1.75in (44.5mm)	3.0in (76.2mm)	1.0in (25.4mm)	0.56in (14.2mm)
<b>R60400-3CR</b>	24	Dimensions on Figure								
<b>R60600-1CR</b>	22	14.0in (356mm)	4.97in (126.2mm)	3.0in (76.2mm)	5.5in (140mm)	1.125in (28.6mm)	1.75in (44.5mm)	4.0in (102mm)	1.0in (25.4mm)	0.56in (14.2mm)
<b>R60600-3CR</b>	25	Dimensions on Figure								

600V, 101 Amp to 600 Amp

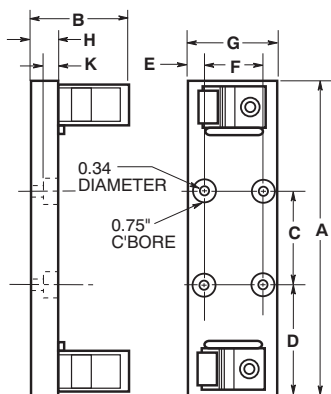


Figure 22

600V, 101 Amp to 200 Amp

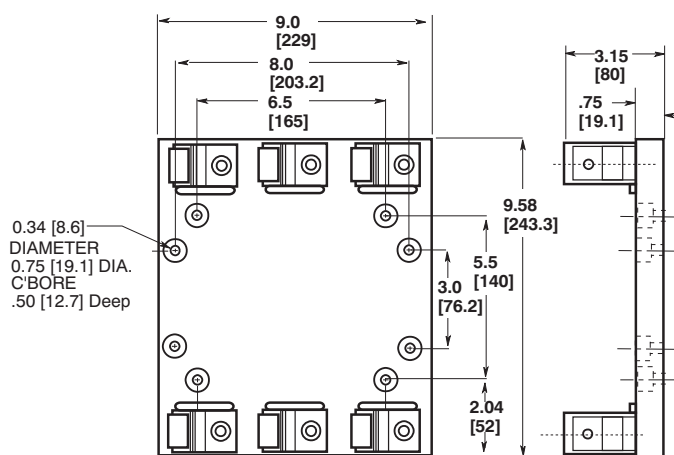


Figure 23

600V, 201 Amp to 400 Amp

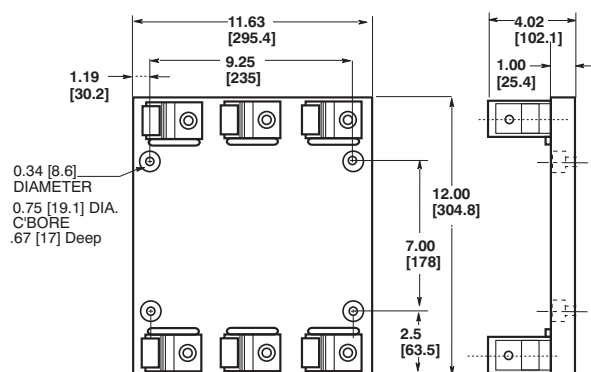


Figure 24

600V, 401 Amp to 600 Amp

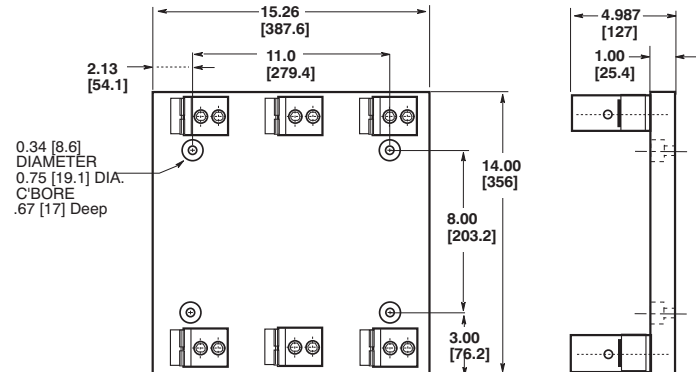


Figure 25

Note: All dimensions shown in inches [mm]



# Edison Fuses – Accessories



**FP-2**

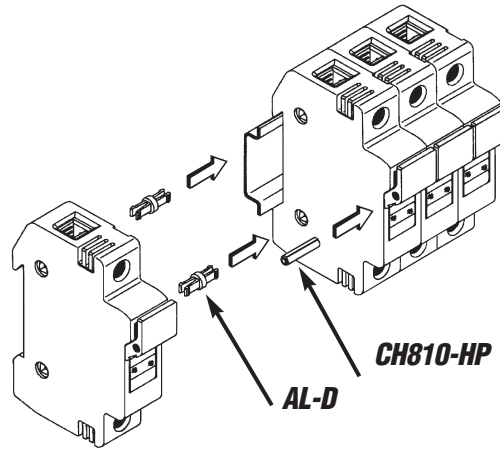


**AL-D**



**CH810-HP**

Accessories			
Part Number	Description	Pcs/Pkg	Price
<b>FP-2</b>	Fuse puller for fuse dia. 13/32" - 13/16". Fuse type: 0-60A, 250V; 0-30A, 600V	1	<--->
<b>AL-D</b>	Plastic connection link for connecting 2 poles of CHM or CHCC holders. 2 links required per connection.	12	<--->
<b>CH810-HP</b>	Metal handle pins for connecting 2 poles of CHM or CHCC holders. 1 pin required per connection.	12	<--->



- PLC Overview
- DL05/06 PLC
- DL105 PLC
- DL205 PLC
- DL305 PLC
- DL405 PLC
- Field I/O
- Software
- C-more HMIs
- Other HMI
- AC Drives
- Motors
- Steppers/Servos
- Motor Controls
- Proximity Sensors
- Photo Sensors
- Limit Switches
- Encoders
- Current Sensors
- Pushbuttons/Lights
- Process
- Relays/Timers
- Comm.
- TB's & Wiring
- Power
- Circuit Protection
- Enclosures
- Appendix
- Part Index

## Edison Cross Reference Guide

CROSS REFERENCE GUIDE By manufacturers type reference or series number. Ampere ratings must be added for ordering purposes.								
		VOLT	EDISON	BRUSH/DORMAN	BUSSMANN	FERRAZ GOULD	GEC/CEFCO	LITTELFUSE
<b>UL CLASS CURRENT LIMITING FUSES (CSA CLASS)</b>								
CC (HRCL-CC)	Time-Delay	600	EDCC		LP-CC	ATDR		CCMR
	Time-Delay	600	HCTR		FNQ-R	ATQR		KLDR
	Fast-Acting	600	HCLR	HCLR	KTK-R	ATMR	CTK-R	KLKR
	Time-Delay RK1 Dual Element	250	LENRK		LPN-RK-SP	A2DR		LLNRK
		600	LENSK		LPS-RK-SP	A6DR		LLSRK
	Time-Delay RK5 Dual Element	250	ECNR		FRN-R	TR		FLNR
		600	ECSR		FRS-R	TRS		FLSR
Time-Delay J Dual Element	600	JDL		LPJ	AJT		JTD	
<b>UL CLASS GENERAL PURPOSE FUSES</b>								
Midget	Fast-Acting	600	EBS	EBS	BBS	SBS		BLS
		600	MCL	MCL	KTK	ATM	CTK	KLK
		250	MOL	MOL	BAF/BAN	OTM		BLF
	Time-Delay	500	MEQ	MEQ	FNQ	ATQ		FLQ
250		MEN	MEN	FNM	TRM		FLM	
1/4"x1/4" Ceramic	Fast-Acting	250/125	ABC	ABC	ABC	GAB	314	
1/4"x1/4" Glass		250/32	AGC	AGC	AGC	GGC	312	
1/4"x1/4" Ceramic	Time-Delay	250	MDA	MDA	MDA	none	326	
1/4"x1/4" Glass		250/32	MDL	MDL	MDL	GDL	313	
5x20 mm Glass	Fast-Acting	250/125	GMA	GMA	GMA	GGM	235	
	Medium Time-Delay	250/125	GMC	GMC	GMC	GSC	none	
5x20 mm Glass	Fast-Acting	250	S500	BDB	GDB	GSB	217	
	Time-Delay	250	S506	BDC	GDC	GDG	218	
<b>Fuse Puller</b>								
Fuse Puller FP-2			old - 38072 new - FP-2		FP-2			

<b>CROSS REFERENCE GUIDE By manufacturers type reference or series number. Ampere ratings must be added for ordering purposes.</b>									
		<b>VOLT</b>	<b>EDISON</b>	<b>BRUSH/ DORMAN</b>	<b>BUSSMANN</b>	<b>FERRAZ</b>	<b>GEC/CEFCO</b>	<b>GOULD</b>	<b>LITTELFUSE</b>
<b>UL CLASS CURRENT LIMITING FUSES (CSA CLASS)</b>									
CC (HRCI-CC)	Time-Delay	600	EDCC	—	LP-CC	ATDR	—	ATDR	CCMR
	Time-Delay	600	HCTR	—	FNQ-R	ATQR	—	ATQR	KLDR
	Fast-Acting	600	HCLR	HCLR	KTK-R	ATMR	CTK-R	ATMR	KLKR
<b>UL CLASS GENERAL PURPOSE FUSES</b>									
Midget	Fast-Acting	600	EBS	EBS	BBS	SBS	—	SBS	BLS
		600	MCL	MCL	KTK	ATM	CTK	ATM	KLK
		250	MOL	MOL	BAF/BAN	OTM	—	OTM	BLF
Midget	Time-Delay	500	MEQ	MEQ	FNQ	ATQ	—	ATQ	FLQ
		250	MEN	MEN	FNM	TRM	—	TRM	FLM
<b>Fuse Puller</b>									
Fuse Puller FP-2			old - 38072 new - FP-2		FP-2				

<b>Specification</b>	<b>781 Series</b>	<b>782 Series</b>	<b>783 Series</b>	<b>784 Series</b>
<b>Coil Voltages</b>	110/120VAC, 220VAC, 24VAC, 24VDC	110/120VAC, 220VAC, 24VAC, 24VDC	110/120VAC, 220VAC, 24VAC, 24VDC	110/120VAC, 220VAC, 24VAC, 24VDC
<b>Configuration</b>	1PDT	2PDT	3PDT	4PDT
<b>Contact Rating</b>	15A	15A	15A	15A
<b>Base Socket</b>	5 pin spade terminal	8 pin spade terminal	11 pin spade terminal	14 pin spade terminal
<b>Agency Approvals</b>	UL Recognized (E43641), CE Approval pending, CSA 97899	UL Recognized (E43641), CE Approval pending, CSA Approval pending	UL Recognized (E70550), CE Approval IEC Std 947-4-1 and 947-5-1, CSA 40787	UL Recognized (E43641), CE Approval pending, CSA Approval pending
<b>Prices starting at</b>	<4>	<5>	<5>	<6>