

Edison Fuses – Fuse Blocks for Class RK Fuses



R25030-1SR



R60030-1SR

Description

For use with Edison LENRK and ECNR, R250; Edison LESRK and ECSR, R600, Class R fuses

Terminal type

- SR = Screw type, clip with re-inforced spring.
- CR = Box lug type, clip with reinforced spring

Agency Approvals

- UL Listed, UL 512, Guide IZLT, File E14853
- CSA, Certified, C22.2 No.39 Class 6225-01, File 47235

Specifications

Construction: Thermoplastic

UL Flammability: 94V-0

Voltage Ratings:

R250: 250 Volts AC; R600: 600 Volts AC

Ampere Ratings: 0.10 - 600 Amps

Short-circuit current Rating: 200,000 RMS

Symmetrical Amps

R250 Series Fuseblocks (250V)							
Part Number	Amps	Poles	Maximum Wire Size	Fig #	Pcs/Pkg	Wt. (lbs.)	Price
R25030-1SR	0.1 to 30	1	#10-18 Cu	1	1	0.10	<-->
R25030-2SR		2		2		0.25	<-->
R25030-3SR		3		3		0.30	<-->
R25060-1CR	31 to 60	1	#2-14 Cu #2-8 Al	4		0.23	<-->
R25060-2CR		2		5		0.44	<-->
R25060-3CR		3		6		0.45	<-->
R25100-1CR	61 to 100	1	1/0-8 Cu-Al	7		0.60	<-->
R25100-2CR		2		8		1.00	<-->
R25100-3CR		3		9		1.50	<-->
R25200-1CR	101 to 200	1	250MCM-6 Cu-Al	See Table 1 below then refer to Figure #	2.20	<-->	
R25200-3CR		3			5.30	<-->	
R25400-1CR	201 to 400	1	500MCM-4 Cu-Al		2.90	<-->	
R25400-3CR*		3			1070	<-->	
R25600-1CR	401 to 600	1	(2) 500MCM-4/0 Cu-Al		5.80	<-->	
R25600-3CR*		3			20.70	<-->	

* Not UL, Please use (3) J60600-1CR to assemble a 3 pole UL Fuseblock

R600 Series Fuseblocks (600V)							
Part Number	Amps	Poles	Maximum Wire Size	Fig #	Pcs/Pkg	Wt. (lbs.)	Price
R60030-1SR	0.1 to 30	1	#10-18 Cu only	13	1	0.24	<-->
R60030-2SR		2		14		0.44	<-->
R60030-3SR		3		15		0.40	<-->
R60060-1CR	31 to 60	1	#2-14 Cu #2-8 Al	16		0.30	<-->
R60060-2CR		2		17		0.60	<-->
R60060-3CR		3		18		0.85	<-->
R60100-1CR	61 to 100	1	1/0-8 Cu-Al	19		1.00	<-->
R60100-2CR		2		20		1.50	<-->
R60100-3CR		3		21		2.30	<-->
R60200-1CR	101 to 200	1	250MCM-6 Cu-Al	See Table 2 below then refer to Figure #	0.50	<-->	
R60200-3CR		3			4.95	<-->	
R60400-1CR	201 to 400	1	500MCM-4 Cu-Al		4.10	<-->	
R60400-3CR*		3			9.85	<-->	
R60600-1CR	401 to 600	1	(2) 500MCM-4/0 Cu-Al		7.50	<-->	
R60600-3CR*		3			17.30	<-->	

* Not UL, Please use (3) J60600-1CR to assemble a 3 pole UL Fuseblock

Edison Fuses – R250 Fuse Blocks for Class RK Fuses

Dimensions

inches (mm)

250V, 61 Amp to 100 Amp

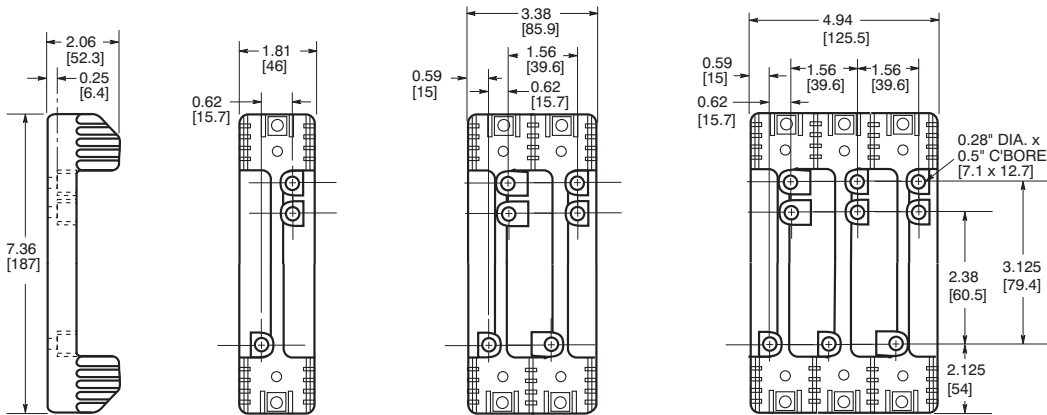


Figure 7

Figure 8

Figure 9

250V, 0.1 Amp to 30 Amp

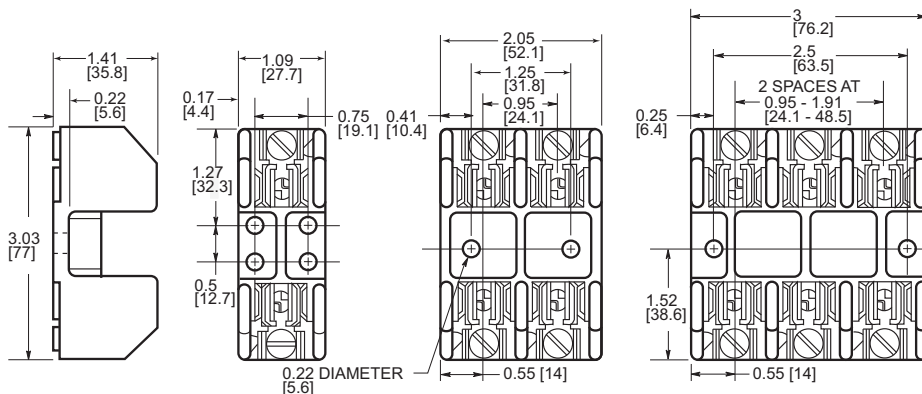


Figure 1

Figure 2

Figure 3

250V, 31 Amp to 60 Amp

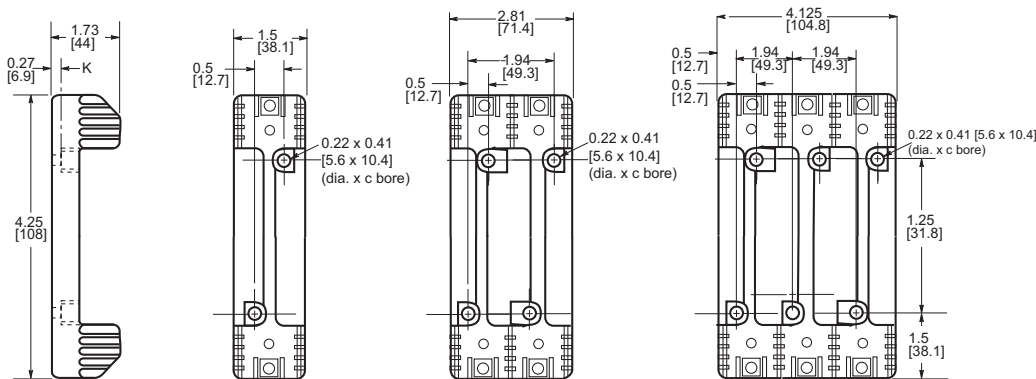


Figure 4

Figure 5

Figure 6

Note: All dimensions shown in inches [mm]

- PLC Overview
- DL05/06 PLC
- DL105 PLC
- DL205 PLC
- DL305 PLC
- DL405 PLC
- Field I/O
- Software
- C-more HMIs
- Other HMI
- AC Drives
- Motors
- Steppers/Servos
- Motor Controls
- Proximity Sensors
- Photo Sensors
- Limit Switches
- Encoders
- Current Sensors
- Pushbuttons/Lights
- Process
- Relays/Timers
- Comm.
- TB's & Wiring
- Power
- Circuit Protection**
- Enclosures
- Appendix
- Part Index

Edison Fuses – R250 Fuse Blocks for Class RK Fuses

Table 1 (250V)										
	Fig #	A	B	C	D	E	F	G	H	K
R25200-1CR	10	7.15in (181.6mm)	3.15in (80mm)	3.0in (76.2mm)	2.06in (52.3mm)	0.5in (12.7mm)	2.0in (50.8mm)	3.0in (76.2mm)	0.75in (19.05mm)	0.31in (7.9mm)
R25200-3CR	11	Dimensions on Figure								
R25400-1CR	10	9.06in (230.1mm)	4.0in (101.6mm)	3.0in (76.2mm)	3.02in (76.7mm)	0.91in (23.1mm)	1.75in (44.5mm)	3.0in (76.2mm)	1.0in (25.4mm)	0.31in (7.9mm)
R25400-3CR	12	9.06in (230.1mm)	4.0in (101.6mm)	4.0in (101.6mm)	2.5in (63.5mm)	0.82in (20.8mm)	9.25in (235mm)	10.88in (276.4mm)	1.0in (25.4mm)	0.56in (14.2mm)
R25600-1CR	10	11.0in (279.4mm)	4.97in (126.2mm)	3.0in (76.2mm)	4.0in (101.6mm)	1.125in (28.6mm)	1.75in (44.5mm)	4.0in (101.6mm)	1.0in (25.4mm)	0.56in (14.2mm)
R25600-3CR	12	11.0in (279.4mm)	4.97in (126.2mm)	5.0in (127mm)	3.0in (76.2mm)	1.87in (47.5mm)	11.0in (279.4mm)	14.74in (374.4mm)	1.0in (25.4mm)	0.56in (14.2mm)

250V, 101 Amp to 200 Amp

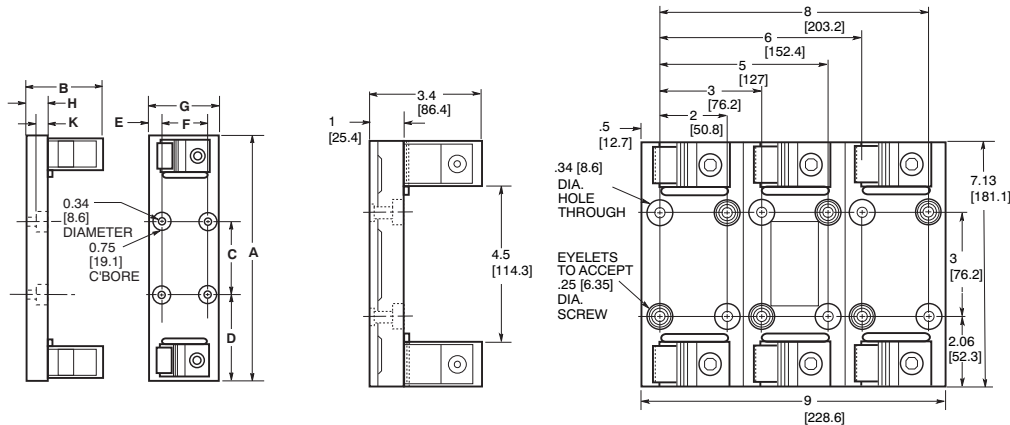


Figure 10

Figure 11

250V, 201 Amp to 600 Amp

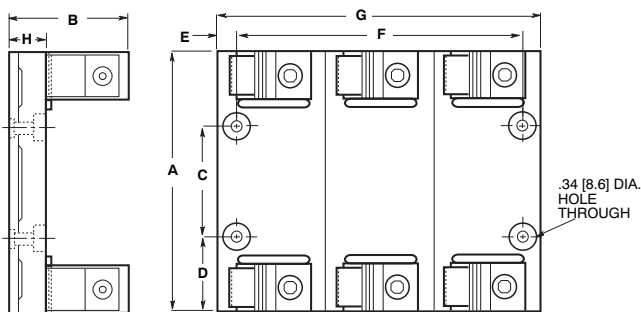


Figure 12

Note: All dimensions shown in inches [mm]

Edison Fuses – R600 Fuse Blocks for Class RK Fuses

Dimensions

inches (mm)

600V, 61 Amp to 100 Amp

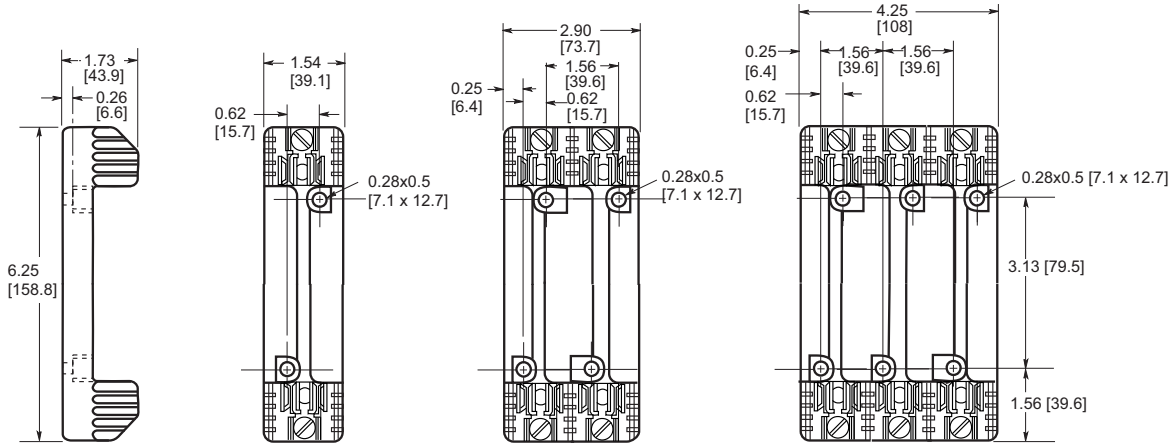


Figure 19

Figure 20

Figure 21

600V, 0.1 Amp to 30 Amp

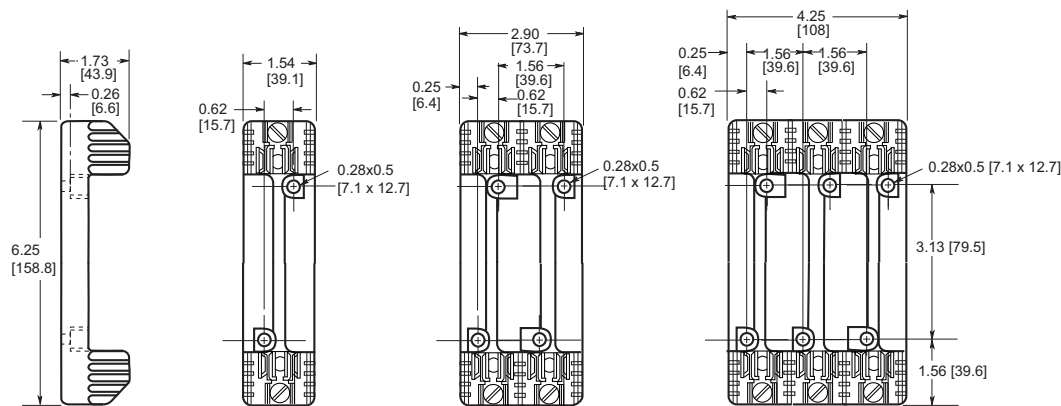


Figure 13

Figure 14

Figure 15

600V, 31 Amp to 60 Amp

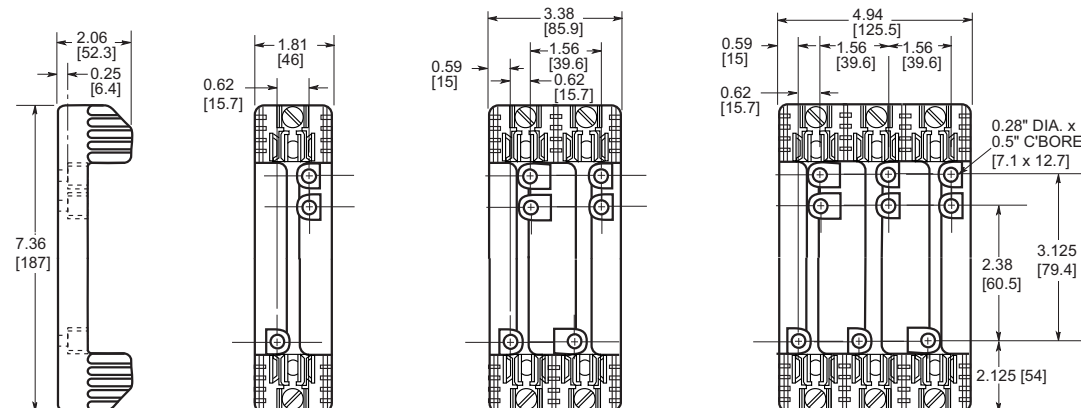


Figure 16

Figure 17

Figure 18

Note: All dimensions shown in inches [mm]

Edison Fuses – R600 Fuse Blocks for Class RK Fuses

Table 2 (600V)										
	Fig #	A	B	C	D	E	F	G	H	K
R60200-1CR	22	9.63in (244.6mm)	3.09in (78.5mm)	3.0in (76.2mm)	3.31in (84.1mm)	0.5in (12.7mm)	2.0in (50.8mm)	3.0in (76.2mm)	0.75in (19.1mm)	0.31in (7.9mm)
R60200-3CR	23	Dimensions on Figure								
R60400-1CR	22	12.0in (305mm)	4.0in (102mm)	3.0in (76.2mm)	4.5in (114.3mm)	0.63in (16mm)	1.75in (44.5mm)	3.0in (76.2mm)	1.0in (25.4mm)	0.56in (14.2mm)
R60400-3CR	24	Dimensions on Figure								
R60600-1CR	22	14.0in (356mm)	4.97in (126.2mm)	3.0in (76.2mm)	5.5in (140mm)	1.125in (28.6mm)	1.75in (44.5mm)	4.0in (102mm)	1.0in (25.4mm)	0.56in (14.2mm)
R60600-3CR	25	Dimensions on Figure								

600V, 101 Amp to 600 Amp

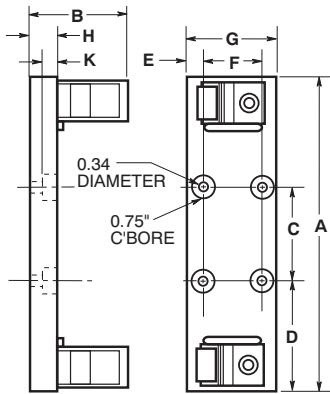


Figure 22

600V, 101 Amp to 200 Amp

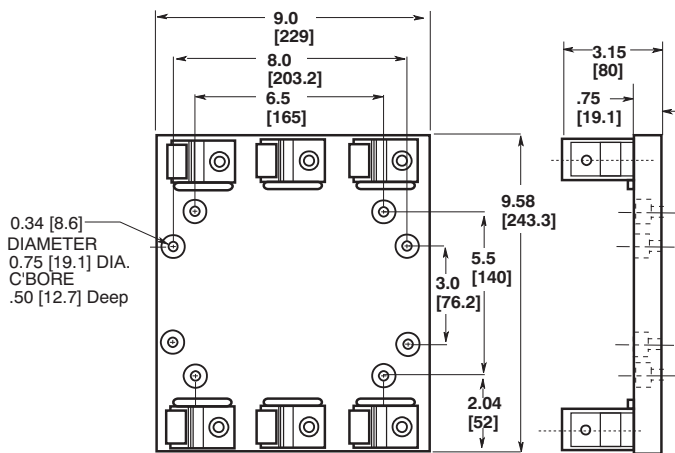


Figure 23

600V, 201 Amp to 400 Amp

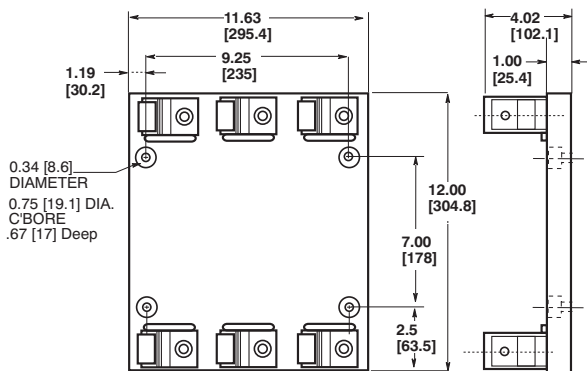


Figure 24

600V, 401 Amp to 600 Amp

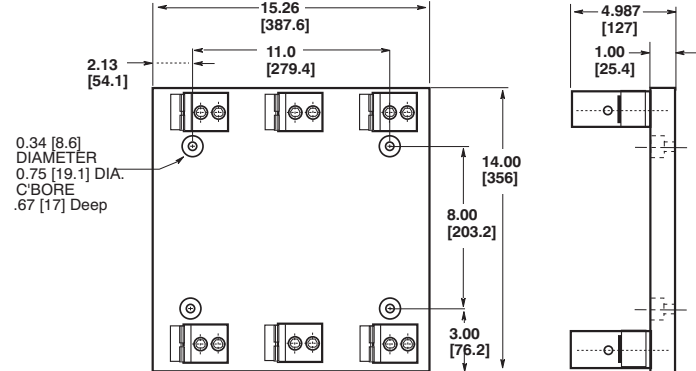


Figure 25

Note: All dimensions shown in inches [mm]