

# Edison Fuses – Dual Element Time-Delay Class J



EDISON JDL Class J fuses are among the most popular current limiting time-delay fuses available. Their small physical size and high performance characteristics make Class J fuses ideal for any space-limited application.

## Specifications

**Voltage Rating:** JDL - 600 VAC  
**Ampere Rating:** 1 - 600 Amps  
**Interrupting Rating:** 200,000 RMS Symmetrical Amps  
**Self-Certified Interrupting Rating:** 300,000 RMS Symmetrical Amps

**Self-Certified DC Ratings:**  
 Voltage Rating: JDL (1-600) 300 VDC  
 Interrupting Rating: JDL 20,000 Amperes DC

**Current Limiting:**  
 Class J Fuse

## Agency Approvals

- UL Listed, Class Class J, Guide JDDZ, File E162363
- CSA Certified HRCI-J per C22.2, No. 248.8

## JDL Features

- Space saving dimensions compared to Class R
- Dual-Element construction provides superior time-delay to pass harmless motor or transformer surges
- High performance with fatigue-free cycling capabilities
- Extremely current limiting

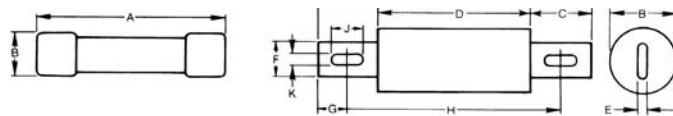
## Applications

- Recommended for Type 2 (no damage) protection of IEC style motor starters and contactors.
- Use to protect lower interrupting rated circuit breakers.
- All general purpose circuits with inductive (high inrush) loads, including motor and motor branch circuits, and transformer circuits. Also suitable for lighting loads.

JDL Series Dual-element Time-delay Fuses					
Part Number	AMP Rating	Rated Voltage AC Max	Pcs/Pkg	Package Weight	Price
JDL1	1	600V	10	1.00 lb.	<--->
JDL2	2				<--->
JDL3	3				<--->
JDL4	4				<--->
JDL5	5				<--->
JDL6	6				<--->
JDL8	8				<--->
JDL10	10				<--->
JDL12	12				<--->
JDL15	15				<--->
JDL17-5	17.5		<--->		
JDL20	20		<--->		
JDL25	25		<--->		
JDL30	30		<--->		
JDL35	35		<--->		
JDL40	40		2.00 lb	<--->	
JDL45	45			<--->	
JDL50	50			<--->	
JDL60	60			<--->	
JDL70	70			<--->	
JDL80	80			<--->	
JDL90	90		5	1.70 lb	<--->
JDL100	100				<--->
JDL125	125				<--->
JDL150	150	4.25 lb		<--->	
JDL200	200			<--->	
JDL225	225			<--->	
JDL250	250	1	1.70 lb	<--->	
JDL300	300			<--->	
JDL350	350			<--->	
JDL400	400		2.80 lb	<--->	
JDL450	450			<--->	
JDL500	500			<--->	
JDL600	600	<--->			

CROSS REFERENCE				
VOLTS	EDISON	BUSSMANN	FERRAZ GOULD	LITTELFUSE
600	JDL	LPJ	AJT	JTD

## JDL Dimensions inches (mm)

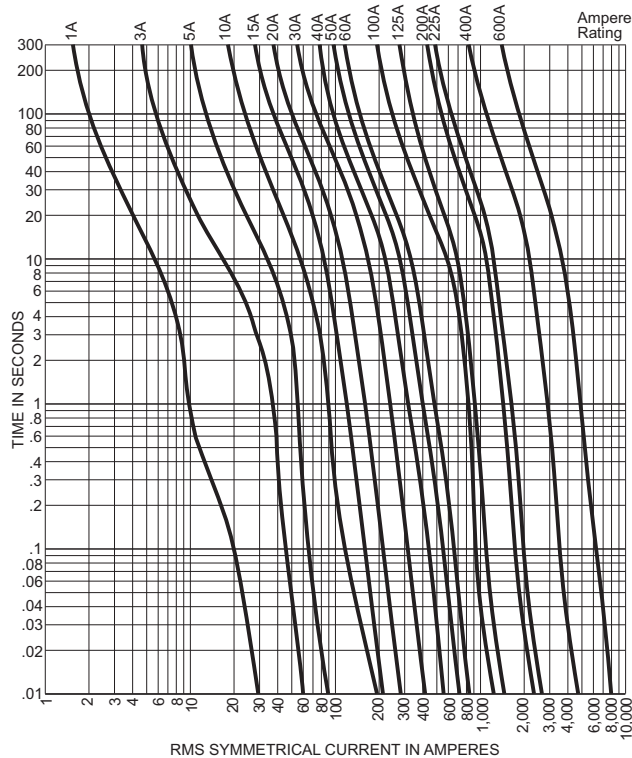


Ampere Rating	Overall Length	Max. Dia.	Blade Length	Barrel Length	Blade Thickness	Blade Width	Mounting Hole Spacing			
Range	A	B	C	D	E	F	G	H	J	K
<b>1-30</b>	2.25in (57.15mm)	.81in (20.6mm)	-	-	-	-	-	-	-	-
<b>35-60</b>	2.38in (60.5mm)	1.06in (26.92)	-	-	-	-	-	-	-	-
<b>70-100</b>	4.63in (117.5mm)	1.13in (28.6mm)	1in (25.4mm)	2.63in (66.7mm)	0.13in (3.2mm)	0.75in (19.1mm)	0.5in (12.7mm)	3.63in (92.1mm)	0.38in (9.5mm)	0.28in (7.1mm)
<b>110-200</b>	5.75in (146.1mm)	1.63in (41.3mm)	1.38in (34.9mm)	3in (76.2mm)	.19in (4.8mm)	1.13in (28.6mm)	0.69in (17.5mm)	4.38in (111.1mm)	0.38in (9.5mm)	0.28in (7.1mm)
<b>225-400</b>	7.13in (181mm)	2.13in (54mm)	1.88in (200mm)	3.38 (85.8mm)	0.25 (6.35mm)	1.63in (41.3mm)	0.94in (23.8mm)	5.25in (133.4mm)	0.56in (14.3mm)	0.41in (10.3mm)
<b>450-600</b>	8in (203.2mm)	2.5in (63.5mm)	2.13in (54mm)	3.75in (95.3mm)	0.38in (9.5mm)	2in (50.8mm)	1in (25.4mm)	6in (152.4mm)	0.75in (19.1mm)	0.53in (13.5mm)

# Edison Fuses – Dual Element Time-Delay Class J

## AVERAGE TIME/CURRENT CURVE

Cat. No. JDL (Amp) 600V



## Current-Limiting Effects

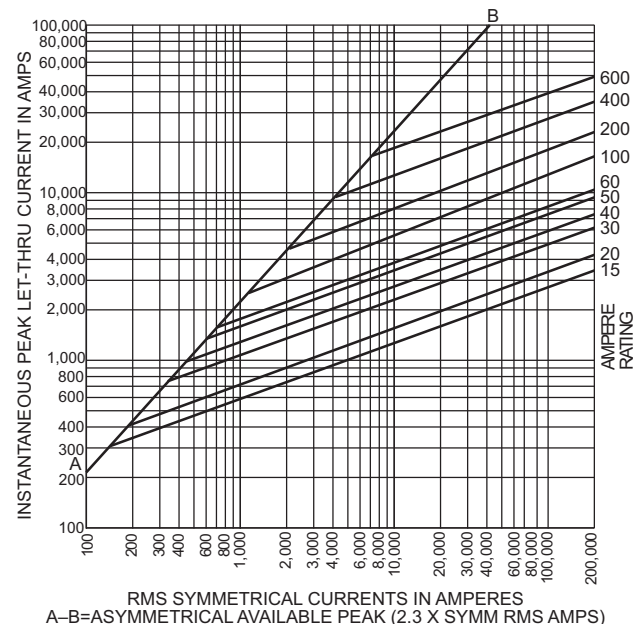
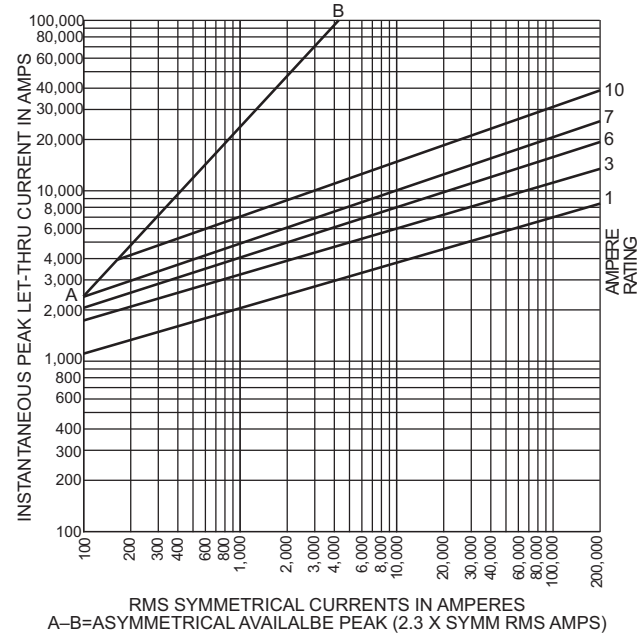
*Prop. S.C.C.	Let-Thru Current (Apparent RMS Symmetrical) JDL (600V) Fuse Ratings						
	15A	30A	60A	100A	200A	400A	600A
1,000	270	470	750	—	—	—	—±
3,000	370	670	1,130	1,640	2,360	—	—
5,000	450	800	1,420	1,910	2,760	4,400	—
10,000	550	1,000	1,730	2,450	3,520	5,540	8,000
15,000	625	1,220	1,890	2,850	4,000	6,420	9,000
20,000	700	1,330	2,120	3,090	4,400	7,000	10,000
25,000	750	1,440	2,250	3,400	5,000	7,500	11,100
30,000	800	1,530	2,370	3,650	5,140	8,000	11,800
35,000	820	1,600	2,580	3,780	5,430	8,330	12,500
40,000	900	1,640	2,670	4,000	5,640	9,000	13,270
50,000	925	1,760	2,790	4,470	6,000	9,380	13,820
60,000	1,000	1,850	3,000	4,670	6,420	10,000	15,000
80,000	1,160	2,000	3,220	5,000	7,400	11,270	16,000
100,000	1,220	2,150	3,520	5,360	7,950	12,180	17,270
150,000	1,400	2,460	4,000	6,170	9,000	14,360	19,270
200,000	1,560	2,640	4,450	7,000	10,000	15,820	20,600

\*RMS Symmetrical Amperes Short-Circuit Current.

NOTE Data derived from Current Limiting Curves.

## PEAK LET-THROUGH CURRENT CURVES

Cat. No. JDL (Amp) 600V



# Edison Fuses – Fuse Blocks for Class J Fuses



**J60060-1C**



**J60030-2P**



**J60030-3P**

## Description

For use with Edison JDL class J fuses

Terminal type

- C = Box lug type
- CR = Box lug type, with retaining clip
- P = Pressure plate. Clip reinforcing springs are standard on fuseblocks rated 100A and above.

## Specifications

**Construction:** Thermoplastic, UL Flammability; 94V-0

**Voltage Ratings:** 600 Volts AC

**Ampere Ratings:** 0.50 - 600 Amps

**Short-circuit current Rating:** 200,000 RMS Symmetrical Amps

## Agency Approvals

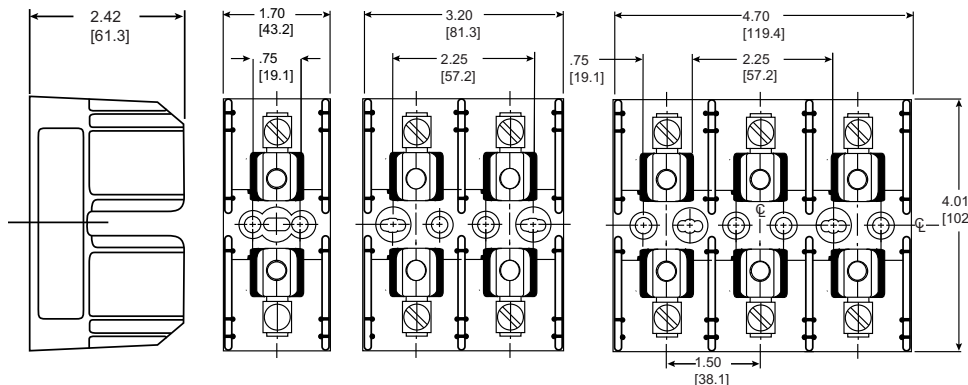
- UL Listed, UL 512, Guide IZLT, File E14853
- CSA, certified, C22.2 No. 39, Class 6225-01, File 47235

Class J Fuseblocks						
Part Number	Amps	Poles	Maximum Wire Size	Fig #	Pcs/Pkg	Wt. (lbs.) Price
J60030-1P	0.5 to 30	1	#10-14 Cu	1	1	0.44 <--->
J60030-2P		2		2		0.35 <--->
J60030-3P		3		3		0.45 <--->
J60060-1C	31 to 60	1	#2-14 Cu-Al	1		0.44 <--->
J60060-2C		2		2		0.35 <--->
J60060-3C		3		3		0.55 <--->
J60100-1CR	61 to 100	1	1/0-8 Cu-Al	4		0.98 <--->
J60100-3CR		3		5		1.55 <--->
J60200-1CR	101 to 200	1	250MCM-6 Cu-Al	6		1.70 <--->
J60200-3CR		3		9		6.70 <--->
J60400-1CR	201 to 400	1	500MCM-4 Cu-Al	7		3.10 <--->
J60400-3CR		3		10	14.0 <--->	
J60600-1CR	401 to 600	1	(2) 500MCM-4/0 Cu-Al	8	5.40 <--->	
J60600-3CR*		3		11	8.0 <--->	

\* Not UL, Please use (3) J60600-1CR to assemble a 3 pole UL Fuseblock

## Class J Fuseholder Dimensions

### 0.5 Amp to 60 Amp



**Figure 1**

**Figure 2**

**Figure 3**

Note: All dimensions shown in inches [mm]

# Edison Fuses – Fuse Blocks for Class J Fuses

## 61 Amp to 100 Amp

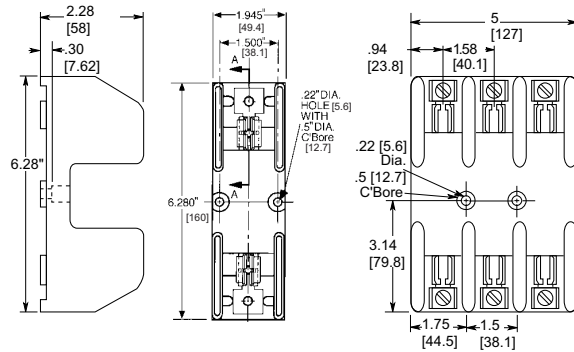


Figure 4

Figure 5

## 101 Amp to 200 Amp

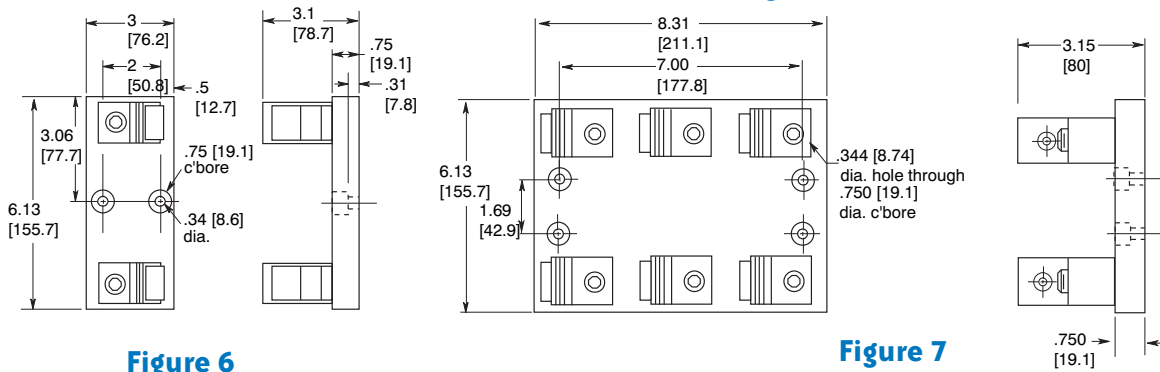


Figure 6

Figure 7

## 201 Amp to 400 Amp

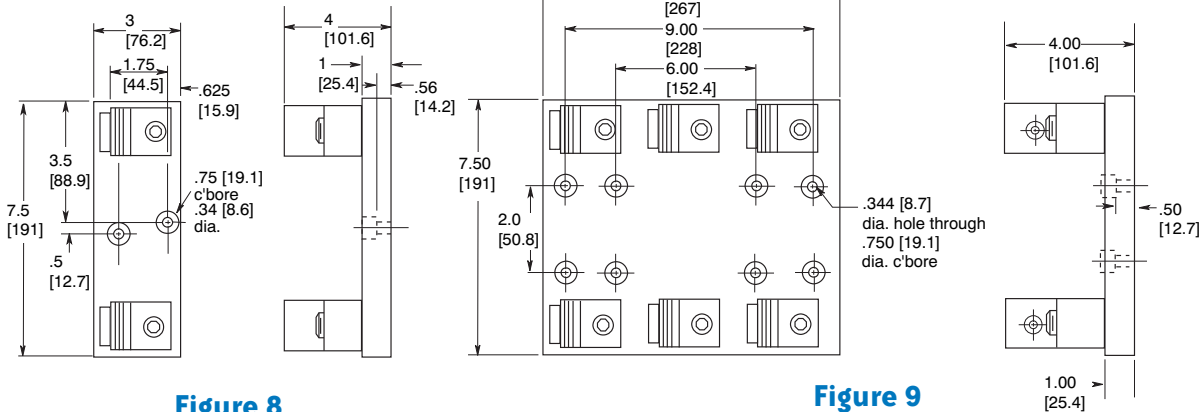


Figure 8

Figure 9

## 401 Amp to 600 Amp

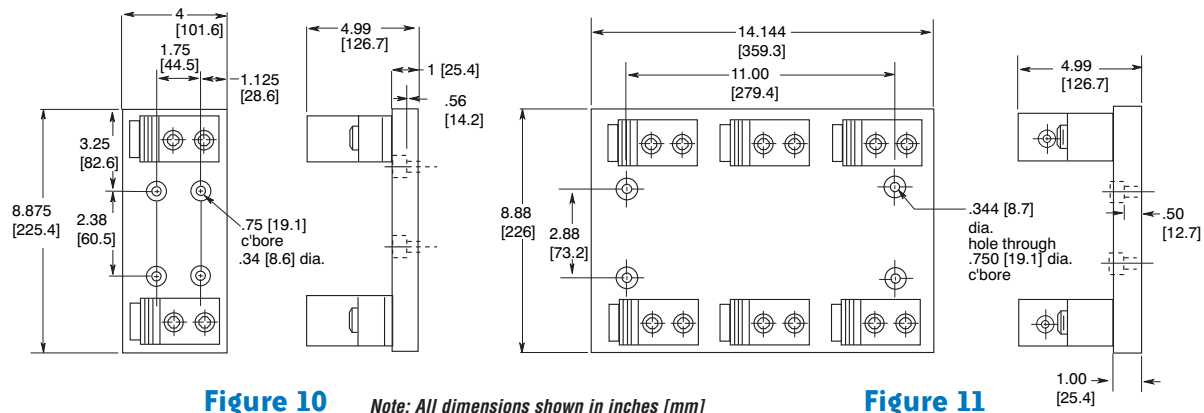


Figure 10

Note: All dimensions shown in inches [mm]

Figure 11

# Edison Fuses – Modular Fuse Holders for Class J Fuses


**CH30J1**

**CH30J2I**

**CH30J3**

## Description

- Choice of LED indicator or non-indicating fuse holder
- Comes in standard 1-, 2- and 3-Pole ganged assemblies where all fuses are extracted simultaneously
- Meets requirements of IEC 60529 for IP-20 finger safe rating
- 35 mm DIN rail and chassis (6-32 UNC Pan Head recommended) mounting features
- Fuseholder wire ports dual wire rated from 18 to 3 AWG

## Specifications

**Construction:** Thermoplastic, with tin-plated copper clip  
**UL Flammability:** 94V-0  
**Voltage Ratings:** 600 Volts AC  
**Ampere Ratings:** 1 - 60 Amps  
**Interrupting Rating:** 200,000 RMS Symmetrical Amps  
**Minimum Indicating Voltage (neon lamp):** 90 Volts  
**Nominal Operating Current (neon lamp):** 34 mA (460 VAC)

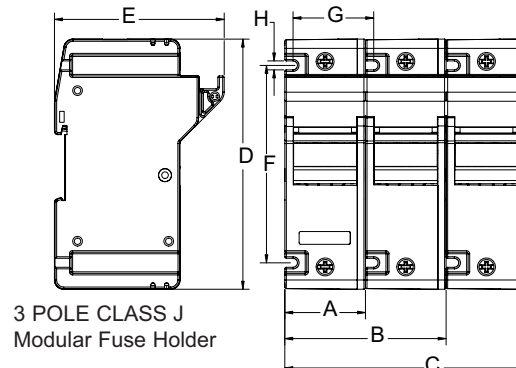
## Agency Approvals

- Listed UL 512, Guide IZLT, File E14853
- CSA Certified per C22.2 Nos. 39 Class 6225-01, File LR47235
- CE compliance for the European Union Low Voltage Directive

CH Series Modular Fuse Holders for Class J Fuses								
Amp Rating	Part Number	Type	Poles	Maximum Wire Size	Pcs/Pkg	Weight (lbs.)	Price	
30A	CH30J1	Easy ID window	1	18 -1 AWG Single 18 -3 AWG Dual 75°C	6	2.8	<-->	
	CH30J2	Easy ID window	2		3		<-->	
	CH30J3	Easy ID window	3		2		<-->	
	CH30J1I	Neon indicator	1		6		<-->	
	CH30J2I	Neon indicator	2		3		<-->	
	CH30J3I	Neon indicator	3		2		<-->	
60A	CH60J1	Easy ID window	1			6	3.4	<-->
	CH60J2	Easy ID window	2			3		<-->
	CH60J3	Easy ID window	3			2		<-->
	CH60J1I	Neon indicator	1			6		<-->
	CH60J2I	Neon indicator	2			3		<-->
	CH60J3I	Neon indicator	3			2		<-->

## Dimensions

Dimension	CH30J in (mm)	CH60J in (mm)
<b>A</b>	1.28 (32.5)	1.58 (40.0)
<b>B</b>	2.56 (65.0)	3.16 (80.0)
<b>C</b>	3.84 (97.5)	4.72 (120.0)
<b>D</b>	4.59 (116.6)	4.88 (124.0)
<b>E</b>	2.83 (71.8)	3.31 (84.1)
<b>F</b>	3.56 (90.4)	3.85 (97.9)
<b>G</b>	1.28 (32.5)	1.58 (40.0)
<b>H</b>	0.18 (4.44)	0.18 (4.44)



# Edison Fuses – Accessories



**FP-2**

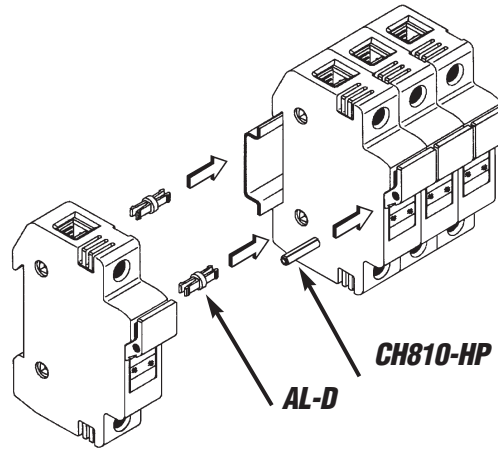


**AL-D**



**CH810-HP**

Accessories			
Part Number	Description	Pcs/Pkg	Price
<b>FP-2</b>	Fuse puller for fuse dia. 13/32" - 13/16". Fuse type: 0-60A, 250V; 0-30A, 600V	1	<--->
<b>AL-D</b>	Plastic connection link for connecting 2 poles of CHM or CHCC holders. 2 links required per connection.	12	<--->
<b>CH810-HP</b>	Metal handle pins for connecting 2 poles of CHM or CHCC holders. 1 pin required per connection.	12	<--->



## Edison Cross Reference Guide

CROSS REFERENCE GUIDE By manufacturers type reference or series number. Ampere ratings must be added for ordering purposes.								
		VOLT	EDISON	BRUSH/ DORMAN	BUSSMANN	FERRAZ GOULD	GEC/CEFCO	LITTELFUSE
<b>UL CLASS CURRENT LIMITING FUSES (CSA CLASS)</b>								
CC (HRCL-CC)	Time-Delay	600	EDCC		LP-CC	ATDR		CCMR
	Time-Delay	600	HCTR		FNQ-R	ATQR		KLDR
	Fast-Acting	600	HCLR	HCLR	KTK-R	ATMR	CTK-R	KLKR
	Time-Delay RK1 Dual Element	250	LENRK		LPN-RK-SP	A2DR		LLNRK
		600	LENSK		LPS-RK-SP	A6DR		LLSRK
	Time-Delay RK5 Dual Element	250	ECNR		FRN-R	TR		FLNR
		600	ECSR		FRS-R	TRS		FLSR
Time-Delay J Dual Element	600	JDL		LPJ	AJT		JTD	
<b>UL CLASS GENERAL PURPOSE FUSES</b>								
Midget	Fast-Acting	600	EBS	EBS	BBS	SBS		BLS
		600	MCL	MCL	KTK	ATM	CTK	KLK
		250	MOL	MOL	BAF/BAN	OTM		BLF
	Time-Delay	500	MEQ	MEQ	FNQ	ATQ		FLQ
250		MEN	MEN	FNM	TRM		FLM	
1/4"x1/4" Ceramic	Fast-Acting	250/125	ABC	ABC	ABC	GAB		314
1/4"x1/4" Glass		250/32	AGC	AGC	AGC	GGC		312
1/4"x1/4" Ceramic	Time-Delay	250	MDA	MDA	MDA	none		326
1/4"x1/4" Glass		250/32	MDL	MDL	MDL	GDL		313
5x20 mm Glass	Fast-Acting	250/125	GMA	GMA	GMA	GGM		235
	Medium Time-Delay	250/125	GMC	GMC	GMC	GSC		none
5x20 mm Glass	Fast-Acting	250	S500	BDB	GDB	GSB		217
	Time-Delay	250	S506	BDC	GDC	GDG		218
<b>Fuse Puller</b>								
Fuse Puller FP-2			old - 38072 new - FP-2		FP-2			

- PLC Overview
- DL05/06 PLC
- DL105 PLC
- DL205 PLC
- DL305 PLC
- DL405 PLC
- Field I/O
- Software
- C-more HMIs
- Other HMI
- AC Drives
- Motors
- Steppers/Servos
- Motor Controls
- Proximity Sensors
- Photo Sensors
- Limit Switches
- Encoders
- Current Sensors
- Pushbuttons/Lights
- Process
- Relays/Timers
- Comm.
- TB's & Wiring
- Power
- Circuit Protection
- Enclosures
- Appendix
- Part Index



<b>CROSS REFERENCE GUIDE By manufacturers type reference or series number. Ampere ratings must be added for ordering purposes.</b>									
		<b>VOLT</b>	<b>EDISON</b>	<b>BRUSH/ DORMAN</b>	<b>BUSSMANN</b>	<b>FERRAZ</b>	<b>GEC/CEFCO</b>	<b>GOULD</b>	<b>LITTELFUSE</b>
<b>UL CLASS CURRENT LIMITING FUSES (CSA CLASS)</b>									
CC (HRCI-CC)	Time-Delay	600	EDCC	—	LP-CC	ATDR	—	ATDR	CCMR
	Time-Delay	600	HCTR	—	FNQ-R	ATQR	—	ATQR	KLDR
	Fast-Acting	600	HCLR	HCLR	KTK-R	ATMR	CTK-R	ATMR	KLKR
<b>UL CLASS GENERAL PURPOSE FUSES</b>									
Midget	Fast-Acting	600	EBS	EBS	BBS	SBS	—	SBS	BLS
		600	MCL	MCL	KTK	ATM	CTK	ATM	KLK
		250	MOL	MOL	BAF/BAN	OTM	—	OTM	BLF
Midget	Time-Delay	500	MEQ	MEQ	FNQ	ATQ	—	ATQ	FLQ
		250	MEN	MEN	FNM	TRM	—	TRM	FLM
<b>Fuse Puller</b>									
Fuse Puller FP-2			old - 38072 new - FP-2		FP-2				

<b>Specification</b>	<b>781 Series</b>	<b>782 Series</b>	<b>783 Series</b>	<b>784 Series</b>
<b>Coil Voltages</b>	110/120VAC, 220VAC, 24VAC, 24VDC	110/120VAC, 220VAC, 24VAC, 24VDC	110/120VAC, 220VAC, 24VAC, 24VDC	110/120VAC, 220VAC, 24VAC, 24VDC
<b>Configuration</b>	1PDT	2PDT	3PDT	4PDT
<b>Contact Rating</b>	15A	15A	15A	15A
<b>Base Socket</b>	5 pin spade terminal	8 pin spade terminal	11 pin spade terminal	14 pin spade terminal
<b>Agency Approvals</b>	UL Recognized (E43641), CE Approval pending, CSA 97899	UL Recognized (E43641), CE Approval pending, CSA Approval pending	UL Recognized (E70550), CE Approval IEC Std 947-4-1 and 947-5-1, CSA 40787	UL Recognized (E43641), CE Approval pending, CSA Approval pending
<b>Prices starting at</b>	<4>	<5>	<5>	<6>