

Edison Fuses – Fuse Blocks for Class J Fuses

Description

For use with Edison JDL class J fuses

Terminal type

- C = Box lug type
- CR = Box lug type, with retaining clip
- P = Pressure plate. Clip reinforcing springs are standard on fuseblocks rated 100A and above.

Specifications

Construction: Thermoplastic, UL Flammability; 94V-0

Voltage Ratings: 600 Volts AC

Ampere Ratings: 0.50 - 600 Amps

Short-circuit current Rating: 200,000 RMS Symmetrical Amps

Agency Approvals

- UL Listed, UL 512, Guide IZLT, File E14853
- CSA, certified, C22.2 No. 39, Class 6225-01, File 47235



J60060-1C



J60030-2P



J60030-3P

Class J Fuseblocks						
Part Number	Amps	Poles	Maximum Wire Size	Fig #	Pcs/Pkg	Wt. (lbs.) Price
J60030-1P	0.5 to 30	1	#10-14 Cu	1	1	0.44 <--->
J60030-2P		2		2		0.35 <--->
J60030-3P		3		3		0.45 <--->
J60060-1C	31 to 60	1	#2-14 Cu-Al	1		0.44 <--->
J60060-2C		2		2		0.35 <--->
J60060-3C		3		3		0.55 <--->
J60100-1CR	61 to 100	1	1/0-8 Cu-Al	4		0.98 <--->
J60100-3CR		3		5		1.55 <--->
J60200-1CR	101 to 200	1	250MCM-6 Cu-Al	6		1.70 <--->
J60200-3CR		3		9		6.70 <--->
J60400-1CR	201 to 400	1	500MCM-4 Cu-Al	7		3.10 <--->
J60400-3CR		3		10	14.0 <--->	
J60600-1CR	401 to 600	1	(2) 500MCM-4/0 Cu-Al	8	5.40 <--->	
J60600-3CR*		3		11	8.0 <--->	

* Not UL, Please use (3) J60600-1CR to assemble a 3 pole UL Fuseblock

Class J Fuseholder Dimensions

0.5 Amp to 60 Amp

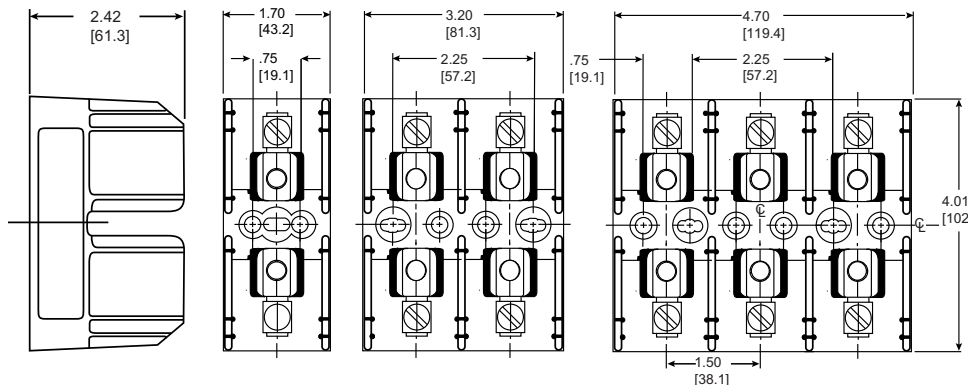


Figure 1

Figure 2

Figure 3

Note: All dimensions shown in inches [mm]

Edison Fuses – Fuse Blocks for Class J Fuses

61 Amp to 100 Amp

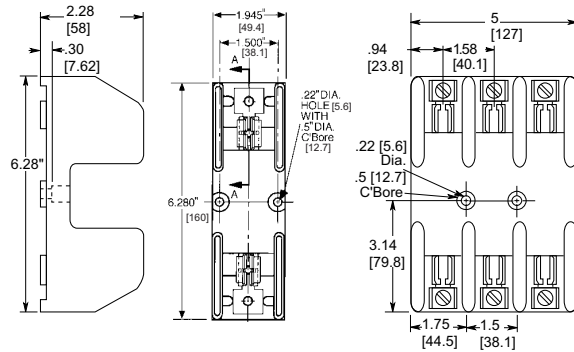


Figure 4

Figure 5

101 Amp to 200 Amp

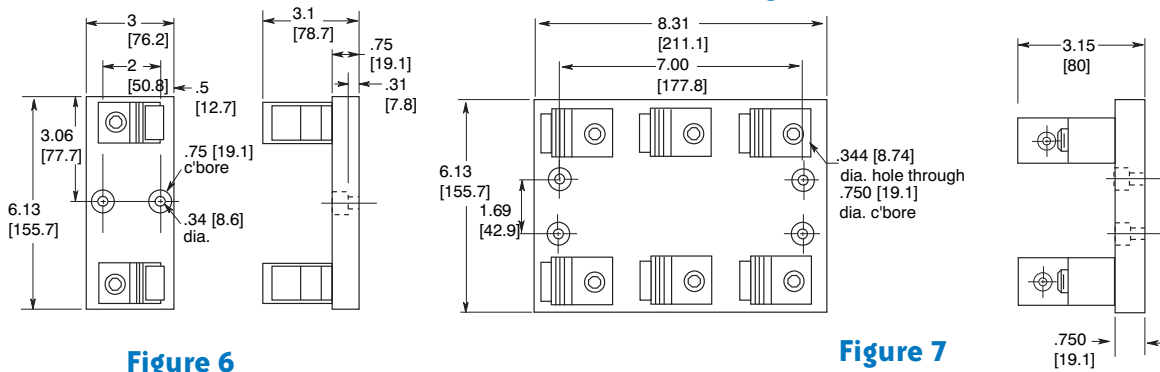


Figure 6

Figure 7

201 Amp to 400 Amp

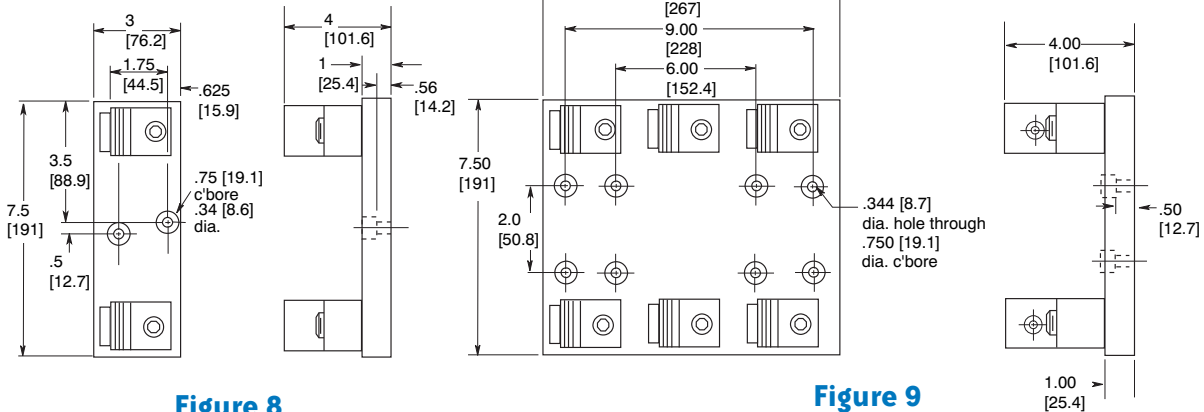


Figure 8

Figure 9

401 Amp to 600 Amp

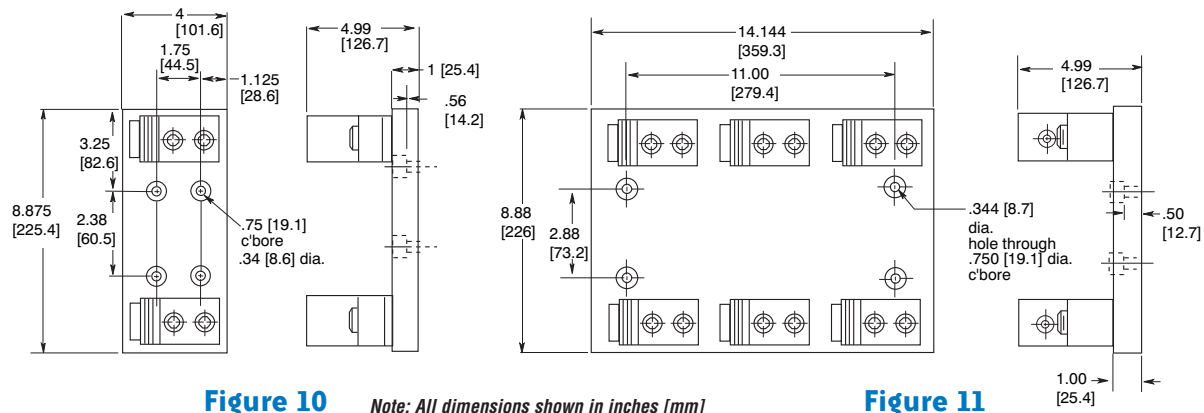


Figure 10

Note: All dimensions shown in inches [mm]

Figure 11

Edison Fuses – Modular Fuse Holders for Class J Fuses


CH30J1

CH30J2I

CH30J3

Description

- Choice of LED indicator or non-indicating fuse holder
- Comes in standard 1-, 2- and 3-Pole ganged assemblies where all fuses are extracted simultaneously
- Meets requirements of IEC 60529 for IP-20 finger safe rating
- 35 mm DIN rail and chassis (6-32 UNC Pan Head recommended) mounting features
- Fuseholder wire ports dual wire rated from 18 to 3 AWG

Specifications

Construction: Thermoplastic, with tin-plated copper clip
UL Flammability: 94V-0
Voltage Ratings: 600 Volts AC
Ampere Ratings: 1 - 60 Amps
Interrupting Rating: 200,000 RMS Symmetrical Amps
Minimum Indicating Voltage (neon lamp): 90 Volts
Nominal Operating Current (neon lamp): 34 mA (460 VAC)

Agency Approvals

- Listed UL 512, Guide IZLT, File E14853
- CSA Certified per C22.2 Nos. 39 Class 6225-01, File LR47235
- CE compliance for the European Union Low Voltage Directive

CH Series Modular Fuse Holders for Class J Fuses							
Amp Rating	Part Number	Type	Poles	Maximum Wire Size	Pcs/Pkg	Weight (lbs.)	Price
30A	CH30J1	Easy ID window	1	18 -1 AWG Single 18 -3 AWG Dual 75°C	6	2.8	<-->
	CH30J2	Easy ID window	2		3		<-->
	CH30J3	Easy ID window	3		2		<-->
	CH30J1I	Neon indicator	1		6		<-->
	CH30J2I	Neon indicator	2		3		<-->
	CH30J3I	Neon indicator	3		2		<-->
60A	CH60J1	Easy ID window	1	18 -1 AWG Single 18 -3 AWG Dual 75°C	6	3.4	<-->
	CH60J2	Easy ID window	2		3		<-->
	CH60J3	Easy ID window	3		2		<-->
	CH60J1I	Neon indicator	1		6		<-->
	CH60J2I	Neon indicator	2		3		<-->
	CH60J3I	Neon indicator	3		2		<-->

Dimensions

Dimension	CH30J in (mm)	CH60J in (mm)
A	1.28 (32.5)	1.58 (40.0)
B	2.56 (65.0)	3.16 (80.0)
C	3.84 (97.5)	4.72 (120.0)
D	4.59 (116.6)	4.88 (124.0)
E	2.83 (71.8)	3.31 (84.1)
F	3.56 (90.4)	3.85 (97.9)
G	1.28 (32.5)	1.58 (40.0)
H	0.18 (4.44)	0.18 (4.44)

