

# Edison Fuses – Fuse Blocks

## Description

These panel-mount fuse blocks are for use with Class CC Fuses (Edison EDCC, HCTR and HCLR).



## Specifications

**Terminal type:** Pressure plate with quick connect terminal

**Base:** Thermoplastic

**Clips:** Bright tin-plated bronze

**UL Flammability:** 94V-0

**Ratings:** 600 VAC, 30 Amps

## Agency Approvals

- UL listed to 512, Guide IZLT, File 14853
- CSA C22.2 No. 39 Class 6225-01, File LR47235
- CE Compliant

BC Series Fuseblocks						
Part Number	Amps	Poles	AWG	Pcs/Pkg	Wt. (lbs.)	Price
BC6031PQ	0.1 to 30	1	18 - 8	10	0.1	<--->
BC6032PQ		2		8	0.16	<--->
BC6033PQ		3		6	0.22	<--->

CROSS REFERENCE				
EDISON	OLD EDISON	BUSSMANN	GOULD	LITTELFUSE
BC6031PQ	EMR631-77	BC6031PQ	30321R	L60030C-1PQ
BC6032PQ	EMR632-77	BC6032PQ	30322R	L60030C-2PQ
BC6033PQ	EMR633-77	BC6033PQ	30323R	L60030C-3PQ

## Description

These panel-mount fuse blocks are for use with any 13/32" x 1-1/2" Class M Fuses (Edison MCL, MEQ, MEN and MOL).



## Specifications

**Terminal type:** Pressure plate with quick connect terminal

**Base:** Thermoplastic

**Clips:** Bright tin-plated bronze

**UL Flammability:** 94V-0

**Ratings:** 600 VAC, 30 Amps

## Agency Approvals

- UL Recognized to 512, Guide IZLT2, File E14853
- CSA C22.2, No.39, Class 6225-01, File 47235

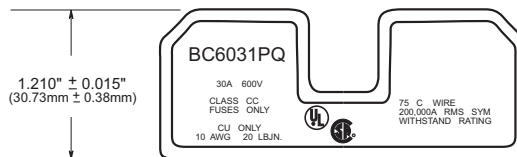
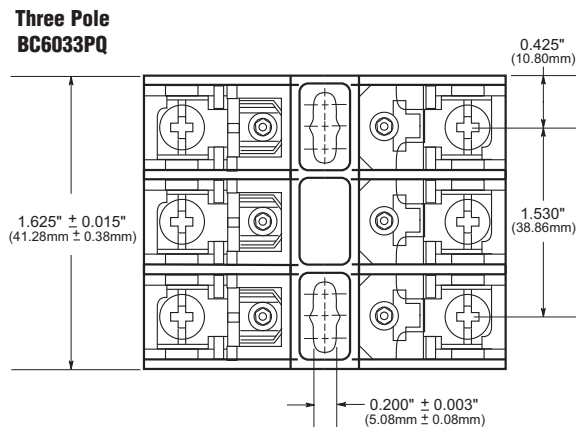
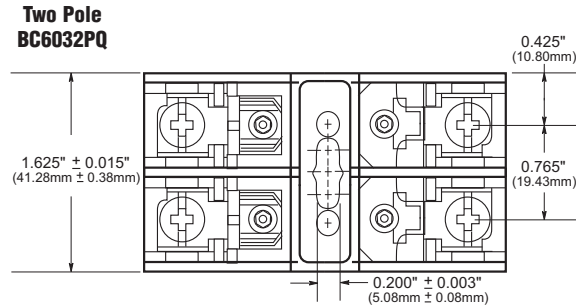
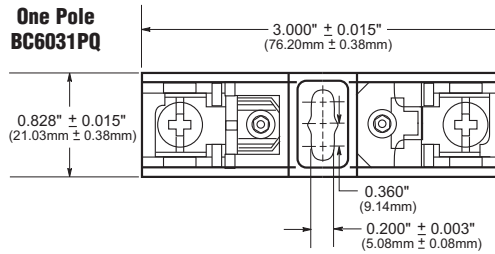
BM Series Fuseblocks						
Part Number	Amps	Poles	AWG	Pcs/Pkg	Wt. (lbs.)	Price
BM6031PQ	0.1 to 30	1	18 - 8	10	0.1	<--->
BM6032PQ		2		8	0.16	<--->
BM6033PQ		3		6	0.22	<--->

CROSS REFERENCE				
EDISON	OLD EDISON	BUSSMANN	GOULD	LITTELFUSE
BM6031PQ	EM631-44	BM6031PQ	30321	L60030M-1PQ
BM6032PQ	EM632-44	BM6032PQ	30322	L60030M-2PQ
BM6033PQ	EM633-44	BM6033PQ	30323	L60030M-3PQ

# Edison Fuses – Fuse Block Dimensions

## CC Class Dimensions -

inches(mm)



## M Class Dimensions

inches(mm)

