

C-more 6" Micro-Graphic STN Touch Panel

The C-more 6" Micro-Graphic panel has a 5.7-inch STN LCD monochrome 320 x 240 dot display. Model EA1-S6ML has five selectable LED-driven backlight colors including Green, Red, Amber, Yellow and Lime. It features five user-defined function keys, each key with a user-defined red LED indicator. The panel can display up to 40 lines by 80 characters of static text and up to 40 lines by 40 characters of dynamic text with embedded variables and phrases mixed with graphics in landscape orientation. Portrait orientation can display 53 lines by 60 characters of static text and 40 lines by 40 characters of dynamic text. Each model is rated NEMA 4/4X, IP-65 (when mounted correctly, for indoor use only). The C-more 6" Micro-Graphic panels are powered from a 12-24 VDC power supply or can operate in low-power mode* when powered from the serial communications port of select AutomationDirect PLCs.

Part No. EA1-S6ML

Shown in Landscape (Horizontal) mode



<--->

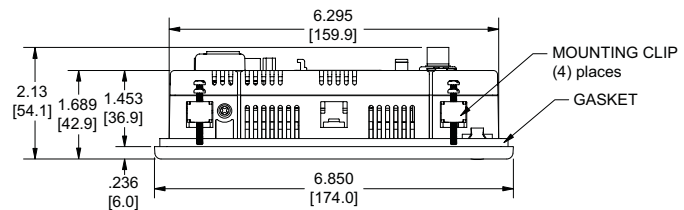
Features

- Touch screen display
- Free downloadable programming software
- 320 x 240 Dot display with up to 40 lines by 80 characters of text and graphics in landscape mode
- Up to 40 lines by 40 characters of dynamic text with embedded variables and phrases mixed with graphics
- 5 programmable function keys can change with every screen. Can increment / decrement values, trigger recipes, view index of screens.
- 5-Color LED backlight for longer life; Green, Red, Amber, Yellow and Lime
- 2 optional keypad bezels, 20-button landscape and 21-button portrait
- Optional replaceable clear screen overlay
- 1,792 KB memory
- Built in RJ12 serial communications port
- Built in 15-pin serial communications port
- Built in Alarm Control setup that activates beep, backlight flash, customized alarm banner, and red LED blinking
- 0 to 50 °C (32 to 122 °F) operating temperature range (IEC 60068-2-14)
- NEMA 4/4X, IP-65 compliant when mounted correctly, indoor use only
- UL, cUL & CE agency approvals
- 2-year warranty from date of purchase

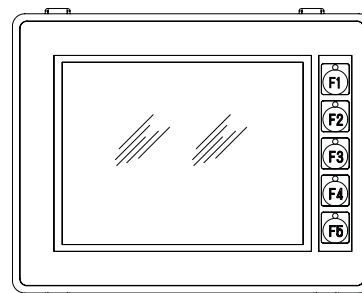
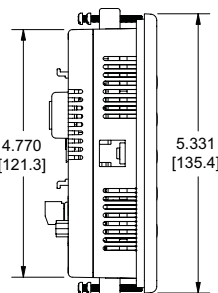


***NOTE: When the panel is powered through Port1 from a connected PLC or PC, the screen brightness is diminished because the panel is running in Low-Power Mode. For full brightness, connect an external 12-24 VDC power source to the panel's power connection. Low-Power Mode should be used during initial programming only. Connect an external 12-24 VDC power source when the panel is installed in its application.**

Dimensions

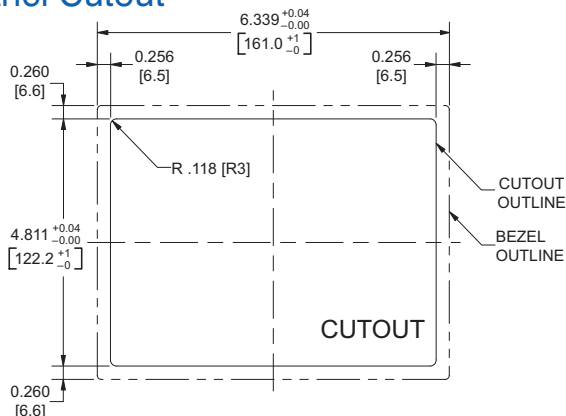


Units: Inches [mm]

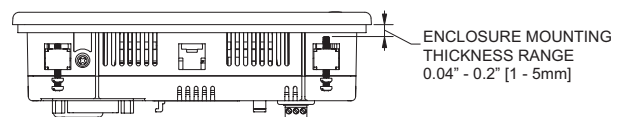


NOTE: Don't forget the optional keypad bezels shown in the accessories section.

Panel Cutout



Panel Thickness



NOTE: The C-more 6" Micro-Graphic cutout dimensions are not equivalent to previous AutomationDirect text panels. The C-more 6" Micro-Graphic panels will not fit in cutouts for DV-1000, EZText, Optimate panels or C-more 6" panels EA7-S6x-x.

C-more 6" Micro-Graphic STN Touch Panel

The C-more 6" Micro-Graphic panel has a 5.7-inch STN LCD monochrome 320 x 240 dot display. Model EA1-S6MLW has five selectable LED-driven backlight colors including White, Pink1, Pink2, Pink3 and Red. It features five user-defined function keys, each key with a user-defined red LED indicator. The panel can display up to 40 lines by 80 characters of static text and up to 40 lines by 40 characters of dynamic text with embedded variables and phrases mixed with graphics in landscape orientation. Portrait orientation can display 53 lines by 60 characters of static text and 40 lines by 40 characters of dynamic text. Each model is rated NEMA 4/4X, IP-65 (when mounted correctly, for indoor use only). The C-more 6" Micro-Graphic panels are powered from a 12-24 VDC power supply or can operate in low-power mode* when powered from the serial communications port of select AutomationDirect PLCs.

Part No. EA1-S6MLW

Shown in Landscape (Horizontal) mode



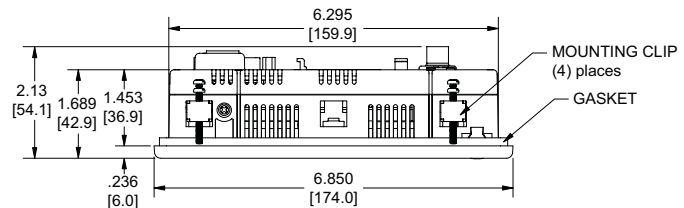
Features

- Touch screen display
- Free downloadable programming software
- 320 x 20 Dot display with up to 40 lines by 80 characters of text and graphics in landscape mode
- Up to 40 lines by 40 characters of dynamic text with embedded variables and phrases mixed with graphics
- 5 programmable function keys can change with every screen. Can increment / decrement values, trigger recipes, view index of screens.
- 5-Color LED backlight for longer lifetime; Green, Red, Amber, Yellow and Lime
- 2 optional keypad bezels, 20-button landscape and 21-button portrait
- Optional replaceable clear screen overlay
- 1,792 KB memory
- Built in RJ12 serial communications port
- Built in 15-pin serial communications port
- Built in Alarm Control setup that activates beep, backlight flash, customized alarm banner, and red LED blinking
- 0 to 50 °C (32 to 122 °F) operating temperature range (IEC 60068-2-14)
- NEMA 4/4X, IP-65 compliant when mounted correctly, indoor use only
- UL, cUL & CE agency approvals
- 2-year warranty from date of purchase

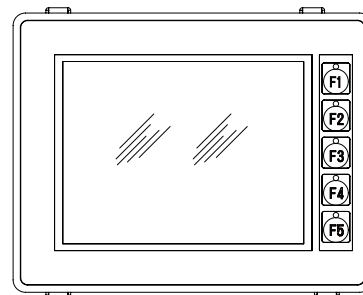
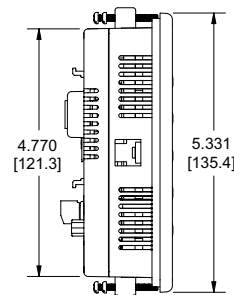


***NOTE:** When the panel is powered through Port1 from a connected PLC or PC, the screen brightness is diminished because the panel is running in Low-Power Mode. For full brightness, connect an external 12-24 VDC power source to the panel's power connection. Low-Power Mode should be used during initial programming only. Connect an external 12-24 VDC power source when the panel is installed in its application.

Dimensions

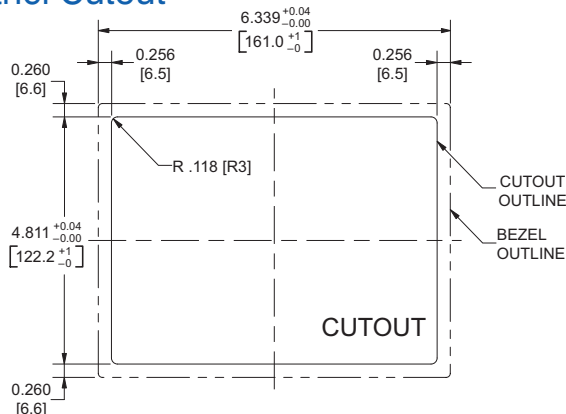


Units: Inches [mm]

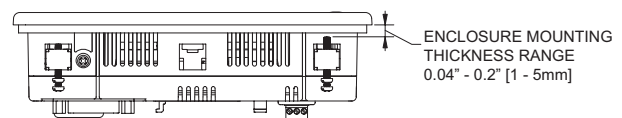


NOTE: Don't forget the optional keypad bezels shown in the accessories section.

Panel Cutout



Panel Thickness



NOTE: The C-more 6" Micro-Graphic cutout dimensions are not equivalent to previous AutomationDirect text panels. The C-more 6" Micro-Graphic panels will not fit in cutouts for DV-1000, EZText, Optimate panels or C-more 6" panels EA7-S6x-x.

C-more 6" Micro-Graphic Specifications

Specifications	
Description	320 x 240 dots LCD display (Landscape Mode), five user defined keypad function buttons, and five user defined LED's
Display	
• Type	5.7" STN monochrome LCD, graphical characters
• Resolution	320 (W) x 240 (H) dots (Landscape Mode) 240 (W) x 320 (H) dots (Portrait Mode)
• Color	2 colors (normal / inverse)
• Viewing Area Size	4.614" (W) x 3.480" (H) [117.2 mm x 88.4 mm]
• Active Area Size	4.535" (W) x 3.400" (H) [115.2 mm x 86.4 mm]
• Contrast	Adjusted from the panel's built-in configuration setup menu
• Viewing Angle	3 o'clock axis → 45 degrees 6 o'clock axis → 40 degrees 12 o'clock axis → 20 degrees
Backlight	
• Type	LED
• Color	5 user defined colors: EA1-S6ML - Red, Green, Amber, Lime, and Yellow EA1-S6MLW - White, Pink1, Pink2, Pink3 and Red
• User Replaceable	No
Touch Screen	
• Type	Analog touch panel
• Operation	82 gram force [0.8 N] maximum
• Life	Minimum of 1,000,000 cycles
Features	
• User Memory	1792 kBytes
• Number of Screens	Up to 999 – limited by project memory usage
• Beep (Internal)	Yes
• Keypad Function Buttons	Five user defined function key buttons with the ability to customize label with an overlay. Minimum of 500,000 cycles
• Keypad Function Button LEDs	Each function key button includes a red LED that can be user programmed.
• Serial Communications	Built-in RJ12 serial communications port (RS-232) and 15-pin D-sub serial communications port (RS-232, RS-485 / 422).
• Expansion Connection	Yes – used with optional Keypad Bezels, EA-MG6-BZ2 & EA-MG6-BZ2P
Screen Objects	
• Functional Devices	Push Button, Switch, Indicator Button, Indicator Light, Graphic Indicator Light, Numeric Display, Numeric Entry, Inc/Dec Value, Bar Graph, Bitmap Button, Static Bitmap, Dynamic Bitmap, Recipe Button, Static Text, Lookup Text, Dynamic Text, Screen Change Push Button, Screen Selector, Adjust Contrast, Function, Real Time Line Trend, Analog Meter.
• Static Shapes	Lines, Rectangles, Circles and Frames
• Displayable Fonts	Fixed fonts: 6x6, 6x8, 8x16, 16x16, 32x16, 32x32, and Windows fonts



NOTE: Photo shows Portrait and Landscape Bezels



C-more 6" Micro-Graphic Specifications

Specifications		
Electrical		
	Low Power Mode*	High Power Mode
• Input Voltage Range	5.0 VDC (4.75 – 5.25 VDC)	12/24 VDC (10.2 – 26.4 VDC)
• Input Power	Supplied through the panel's RJ12 serial communications port connection when used with most AutomationDirect PLCs having a RJ12 communication port or from a PC USB.	Supplied from an external 12-24 VDC power source
• Power Consumption	1.05 W @ 5 VDC (210 mA)	6.5 W @ 10.2 VDC (630 mA)
• Recommended Fuse	No fuse required when directly connected to a PLC or PC with recommended cable.	Type AGC fast acting glass fuse, 750 mA, 250 VAC, ADC p/n AGC-75
• Maximum Inrush Current	1 A for 500 µs	10 A for 500 µs
• Acceptable External Power Drop Duration	Maximum 1 ms	
Environmental		
• Operating Temperature	0 to 50 °C (32 to 122 °F)	
• Storage Temperature	-20 to +60 °C (-4 to +140 °F)	
• Humidity	5–95% RH (non-condensing)	
• Environmental Air	No corrosive gases permitted	
• Vibration	IEC60068-2-6 (Test Fc), 5-9 Hz: 3.5 mm amplitude, 9-150 Hz: 1.0G, sweeping, at a rate of 1 octave/min. (±10%), 10 sweep cycles per axis on each of 3 mutually perpendicular axes	
• Shock	IEC60068-2-27 (Test Ea), 15 G peak, 11 ms duration, three shocks in each direction per axis, on 3 mutually perpendicular axes (total of 18 shocks)	
• Noise Immunity	NEMA ICS3-304 RFI, (145 MHz-440 MHz 10 W @ 10 cm) Impulse 1000 V @ 1 µs pulse	
• Enclosure	NEMA 4/4X, IP-65 (When mounted correctly, for indoor use only.)	
• Agency Approvals	CE (EN61131-2), UL508, CUL Canadian C22.2 No. 142-M95, UL File E157382	
Physical		
• Dimensions	6.850" (W) x 5.331" (H) x 2.130" (D) [174.0 mm x 135.4 mm x 54.1 mm] (Landscape Mode) 5.331" (W) x 6.850" (H) x 2.130" (D) [135.4 mm x 174.0 mm x 54.1 mm] (Portrait Mode)	
• Enclosure Mounting Thickness Range	0.04" – 0.2" [1 – 5 mm]	
• Mounting Clip Screw Torque Range	21 – 28 oz-in [0.15 – 0.2 Nm]	
• Depth from bezel rear with options Module	1.894" [47.1 mm]	
• Weight	30.69 oz. (870 g)	



***NOTE:** When the panel is powered through Port1 from a connected PLC or PC, the screen brightness is diminished because the panel is running in Low-Power Mode. For full brightness, connect an external 12-24 VDC power source to the panel's power connection. Low-Power Mode should be used during initial programming only. Connect an external 12-24 VDC power source when the panel is installed in its application.



NOTE: The environmental specifications for the panels shown above are also applicable for the C-more 6" Micro-Graphic accessories shown later in this section of the catalog.

