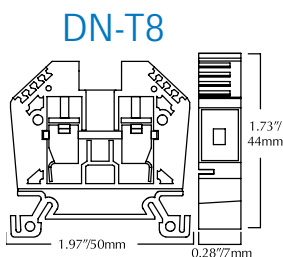
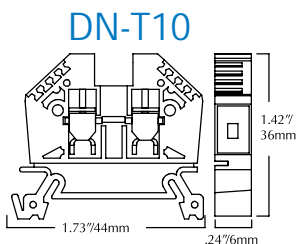
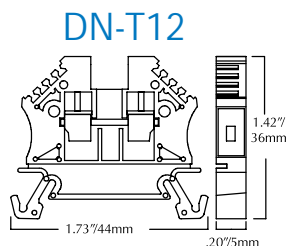
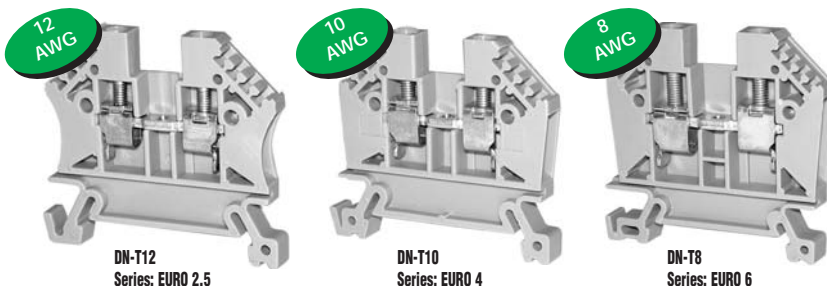


# Feed-through Terminal Blocks



Feed-through terminal blocks provide the means to connect two wires together, and are available in sizes suitable for up to 8 AWG wire.



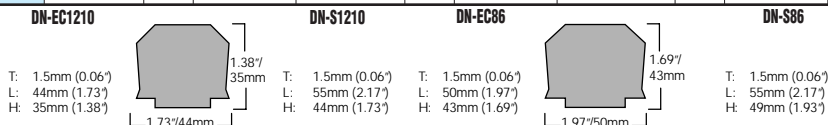
**\* END BRACKET** available in quantity of 20, Part #DN-EB35MN, price <--->. **END COVER** available in quantity of 25, Part #DN-EC1210MN, price <--->. **END COVER** available in quantity of 25, Part # DN-EC86MN, price <--->. **SEPARATOR** available in quantity of 25, Part #DN-S1210MN, price <--->.

**NOTE:** for more information on accessories, see pages 25-20 through 25-46.

**\*\* for copper wire only**

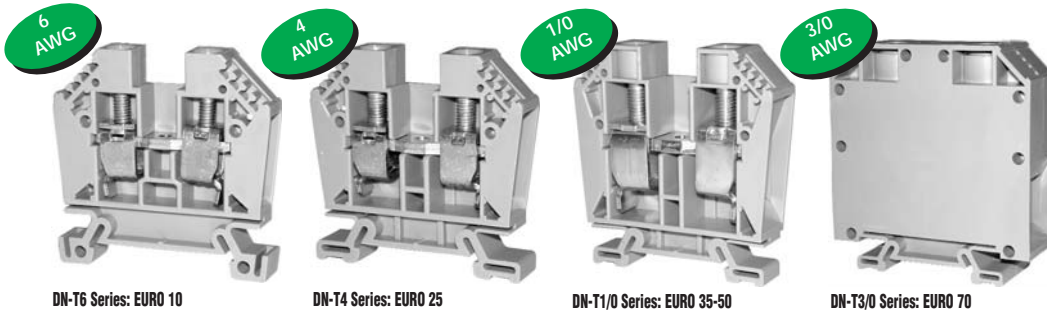
Specifications									
	Part #	Pcs/Pkg	Price/Pkg	Part #	Pcs/Pkg	Price/Pkg	Part #	Pcs/Pkg	Price/Pkg
<b>Gray Term Block</b>	DN-T12	100	<--->	DN-T10	100	<--->	DN-T8	50	<--->
<b>Blue Term Block</b>	DN-T12B	100	<--->	DN-T10B	100	<--->	DN-T8B	50	<--->
<b>Black Term Block</b>	DN-T12BLK	100	<--->	DN-T10BLK	100	<--->	DN-T8BLK	50	<--->
<b>Green Term Block</b>	DN-T12GRN	100	<--->	DN-T10GRN	100	<--->	DN-T8GRN	50	<--->
<b>Orange Term Block</b>	DN-T12ORG	100	<--->	DN-T10ORG	100	<--->	DN-T8ORG	50	<--->
<b>Red Term Block</b>	DN-T12RED	100	<--->	DN-T10RED	100	<--->	DN-T8RED	50	<--->
<b>Yellow Term Block</b>	DN-T12YEL	100	<--->	DN-T10YEL	100	<--->	DN-T8YEL	50	<--->
<b>White Term Block</b>	DN-T12W	100	<--->	DN-T10W	100	<--->	DN-T8W	50	<--->
<b>UL Approval**</b>	600V	20A	24-12AWG	600V	30A	24-10AWG	600V	50A	22-8AWG
<b>CSA Approval</b>	600V	25A	18-12AWG	600V	25A	18-12AWG	600V	55A	18-8AWG
<b>VDE Approval</b>	800V	24A	2.5mm <sup>2</sup>	750V	35A	4mm <sup>2</sup>	750V	46A	6mm <sup>2</sup>
<b>CE Conformity</b>	CE 23/20, CE 23/21			CE 23/20, CE 23/21			CE 23/20, CE 23/21		
<b>Agency File #</b>	E179129, LR84816			E179129, LR84816			E179129, LR84816		
<b>Wire Strip Length</b>	0.39" (10mm)			0.39" (10mm)			0.47" (12mm)		
<b>Tightening Torque</b>	4.5 lb-in (0.5Nm)			5.5 lb-in (0.6Nm)			10.6 lb-in (1.2Nm)		
<b>Density</b>	60 pcs./ft. (200/m)			50 pcs./ft. (166/m)			43 pcs./ft. (142/m)		

Accessories									
	Part #	Pcs/Pkg	Price/Pkg	Part #	Pcs/Pkg	Price/Pkg	Part #	Pcs/Pkg	Price/Pkg
<b>DIN Rail</b>	35mm DIN Rail							10	various
<b>End Bracket*</b>	DN-EB35	50	<--->	DN-EB35	50	<--->	DN-EB35	50	<--->
<b>End Cover*</b>	DN-EC1210	100	<--->	DN-EC1210	100	<--->	DN-EC86	100	<--->
<b>Separator*</b>	DN-S1210	100	<--->	DN-S1210	100	<--->	DN-S86	100	<--->
<b>Jumpers / 2 Pole</b>	DN-2J12	100	<--->	DN-2J10	100	<--->	DN-2J8	100	<--->
<b>/ 3 Pole</b>	DN-3J12	100	<--->	DN-3J10	100	<--->	DN-3J8	100	<--->
<b>/ 4 Pole</b>	DN-4J12	100	<--->	DN-4J10	100	<--->	DN-4J8	100	<--->
<b>/ Multi-pole</b>	DN-100J12 100 pole	1	<--->	DN-82J10 82 pole	1	<--->	DN-70J8 70 pole	1	<--->
<b>Marking Tags</b>	DN-LA or DN-LT series	500/100	various	DN-L or DN-LT series	500/100	various	DN-L or DN-LT series	500/100	various
<b>Angled Support Bracket</b>	DN-ASB1	50	<--->	DN-ASB1	50	<--->	DN-ASB1	50	<--->
<b>Top Cover</b>	DN-C12	100	<--->	DN-C10	100	<--->	DN-C86	100	<--->
<b>Test Plug, Red</b>	-	-	-	DN-TPR	10	<--->	-	-	-
<b>Test Plug, Black</b>	-	-	-	DN-TPB	10	<--->	-	-	-



- PLC Overview
- DL05/06 PLC
- DL105 PLC
- DL205 PLC
- DL305 PLC
- DL405 PLC
- Field I/O
- Software
- C-more HMIs
- Other HMI
- AC Drives
- Motors
- Steppers/Servos
- Motor Controls
- Proximity Sensors
- Photo Sensors
- Limit Switches
- Encoders
- Pushbuttons/Lights
- Process
- Relays/Timers
- Comm.
- TB's & Wiring
- Power
- Enclosures
- Appendix
- Part Index

# Feed-through Terminal Blocks



Specifications												
	Part #	Pcs/Pkg	Price/Pkg	Part #	Pcs/Pkg	Price/Pkg	Part #	Pcs/Pkg	Price/Pkg	Part #	Pcs/Pkg	Price/Pkg
<b>Gray Term Block</b>	DN-T6	50	<--->	DN-T4	25	<--->	DN-T1/0	25	<--->	DN-T3/0	10	<--->
<b>Blue Term Block</b>	DN-T6B	50	<--->	DN-T4B	25	<--->	DN-T1/0B	25	<--->	-	-	-
<b>UL Approval**</b>	600V	65A	20-6 AWG	600V	85A	14-4 AWG	600V	140A	14-1/0 AWG	600V	160A	4-3/0 AWG
<b>CSA Approval</b>	600V	80A	18-6 AWG	600V	105A	14-4 AWG	600V	140A	14-1/0 AWG	600V	175A	4-3/0 AWG
<b>VDE Approval</b>	750V	63A	10mm <sup>2</sup>	750V	110A	25mm <sup>2</sup>	750V	165A	50mm <sup>2</sup>	750V	192A	70mm <sup>2</sup>
<b>CE Conformity</b>	CE 23/20, CE 23/21			CE 23/20, CE 23/21			CE 23/20, CE 23/21			CE 23/20, CE 23/21		
<b>Agency File#</b>	E179129, LR84816			E179129, LR84816			E179129, LR84816			E179129, LR84816		
<b>Wire Strip Length</b>	0.47" (12mm)			0.55" (14mm)			0.67" (17mm)			1.02" (26mm)		
<b>Tightening Torque</b>	18.0 lb-in (2.0Nm)			26.5 lb-in (3.0Nm)			44 lb-in (5.0Nm)			89 lb-in (10Nm)		
<b>Density</b>	33 pcs./ft. (111/m)			25 pcs./ft. (83/m)			19 pcs./ft. (62/m)			11 pcs./ft. (38/m)		

Accessories												
	Part #	Pcs/Pkg	Price/Pkg	Part #	Pcs/Pkg	Price/Pkg	Part #	Pcs/Pkg	Price/Pkg	Part #	Pcs/Pkg	Price/Pkg
<b>DIN Rail</b>	35mm DIN Rail										10	various
<b>End Bracket*</b>	DN-EB35										50	<--->
<b>End Cover*</b>	DN-EC86	100	<--->	DN-EC4	50	<--->	DN-EC1/0	50	<--->	Included	-	-
<b>Separator*</b>	DN-S86	100	<--->	-	-	-	-	-	-	-	-	-
<b>Jumpers/ 2 Pole</b>	DN-2J6	100	<--->	-	-	-	-	-	-	-	-	-
<b>/ 3 Pole</b>	DN-3J6	100	<--->	-	-	-	-	-	-	-	-	-
<b>/ 9 Pole</b>	DN-4J6	100	<--->	-	-	-	-	-	-	-	-	-
<b>/ Multi-pole</b>	DN-55J6	1	<--->	-	-	-	-	-	-	-	-	-
<b>Marking Tags</b>	DN-LA or DN-LT series	500/100	various	DN-LA or DN-LT series	500/100	various	DN-LA or DN-LT series	500/100	various	DN-LA or DN-LT series	500/100	various
<b>Angled Support Bracket</b>	DN-ASB1										50	<--->

\* END BRACKET available in quantity of 20, Part #DN-EB35MN, price <--->. END COVER available in quantity of 25, Part #DN-EC86MN, price <--->.

NOTE: for more information on accessories, see pages 25-20 through 25-46.

\*\* for copper wire only

