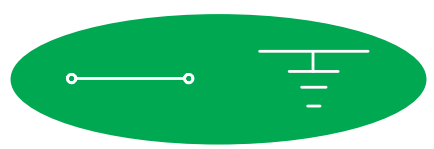
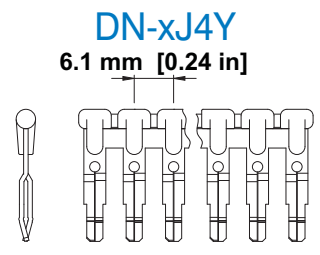
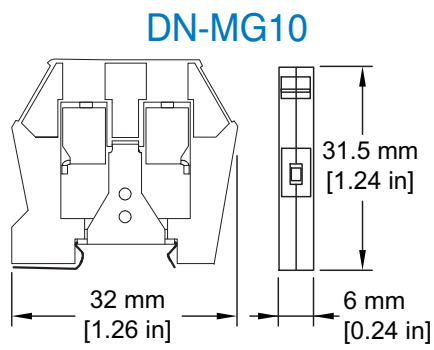
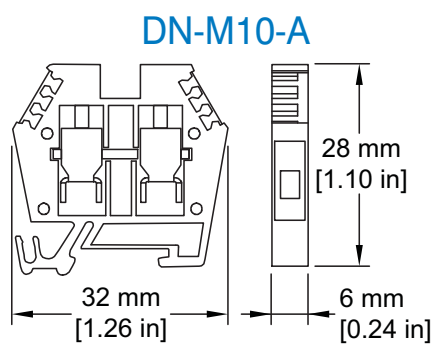
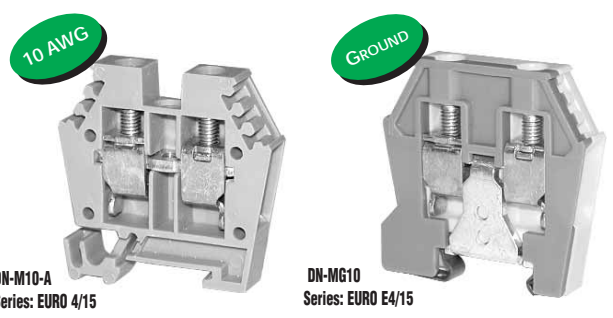


Mini Terminal Blocks



Mini terminal blocks are used in areas with extremely limited space requirements, and mount on the smaller DIN rail type DN-R15S1.

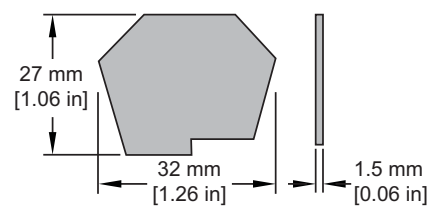


DN-J4CUT
Jumper Cutting Tool



For more information on accessories, see the "DINnectors Accessories" section of this chapter.

DN-ECM10
DN-ECM10MN



	Part #	Pcs/Pkg	Price/Pkg	Part #	Pcs/Pkg	Price/Pkg
Gray Term Block	DN-M10-A	100	<-->	-	-	-
Blue Term Block	DN-M10B-A	100	<-->	-	-	-
Green/Yellow Block	-	-	-	DN-MG10	20	<-->

Mini Terminal Blocks Specifications						
UL Approval *	300V	30A	24-10 AWG	-	-	18-10 AWG
CSA Approval	300V	30A	24-10 AWG	-	-	18-10 AWG
VDE Approval	400V	32A	4mm ²	-	-	4mm ²
CE Conformity	CE 23/20, CE 23/21		CE 23/20, CE 23/21			
Agency File #	UL E179129		UL E179129			
Wire Strip Length	0.39 in [10 mm]		0.39 in [10 mm]			
Tightening Torque	7lb-in [0.6 N-m]		7lb-in [0.6 N-m]			
Density	43 pcs/ft [142/m]		50 pcs/ft [166/m]			
Operating Temperature	Ambient air temperature: -13°F to 104°F (-25°C to 40°C) Relative humidity: 50% max at 104°F (40°C); 90% max at 68°F (20°C)					
<i>* For copper wire only</i>						

Accessories						
	Part #	Pcs/Pkg	Price/Pkg	Part #	Pcs/Pkg	Price/Pkg
DIN Rail (15 mm)	DN-R15S1				10	<-->
End Bracket	DN-EB15	100	<-->			
	DN-EB15MN	20	<-->			
End Cover	DN-ECM10	100	<-->			
	DN-ECM10MN	25	<-->			
Jumpers / 2 Pole	DN-2J4Y	100	<-->			
	DN-3J4Y	100	<-->			
/ 3 Pole	DN-24J4Y	5	<-->			
/ Multi-pole	DN-24J4Y	24 pole	<-->			
Jumper Cutting Tool **	DN-J4CUT	1	<-->			
Marking Tags	DN-LT series				100	<-->
Angled Support Bracket	DN-ASB1	50	<-->	DN-ASB1	50	<-->
Top Cover	DN-MC10	100	<-->			
Test Plug, Red	DN-TPR	10	<-->			
Test Plug, Black	DN-TPB	10	<-->			
** Jumper Cutting Tool DN-J4CUT cuts DN-xJ4Y multi-pole jumpers and MAINTAINS THE JUMPER INSULATION.						

- Company Info.
- PLCs
- Field I/O
- Software
- C-more & other HMI
- AC Drives
- AC Motors
- Power Transmiss.
- Steppers/Servos
- Motor Controls
- Proximity Sensors
- Photo Sensors
- Limit Switches
- Encoders
- Current Sensors
- Pressure Sensors
- Temp. Sensors
- Pushbuttons/Lights
- Process
- Relays/Timers
- Comm.
- Terminal Blocks & Wiring**
- Power
- Circuit Protection
- Enclosures
- Tools
- Pneumatics
- Appendix
- Part Index