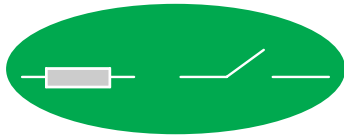


# Fuse Terminal Blocks



Fuse blocks are available for 1/4", 5 mm, Class CC and midget size fuses, either with or without a blown fuse LED. LED fuse blocks are polarity sensitive. The hinge side is positive.



DN-F6 Series: EURO S10-5H



DN-F6L Series: EURO S10-5H

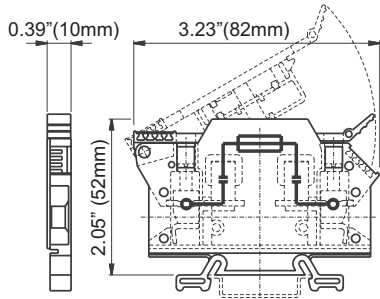


DN-F10 Series: EURO S4LH

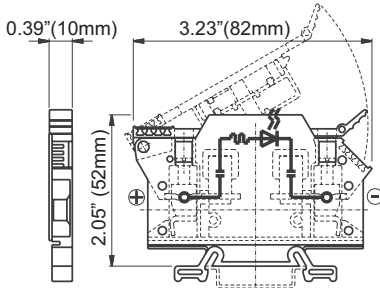


DN-F10L Series: EURO S4LH

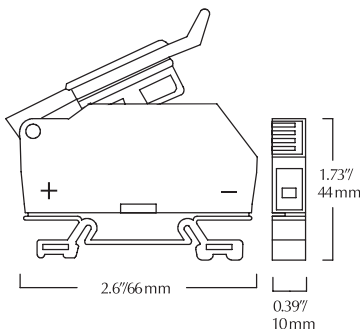
## DN-F6



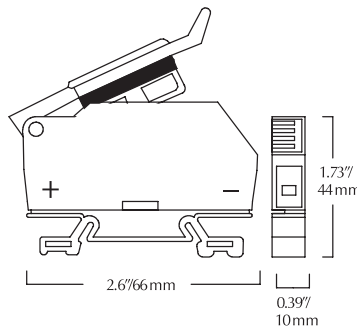
## DN-F6L



## DN-F10



## DN-F10L



### Specifications

	Part #	Pcs/Pkg	Price/Pkg	Part #	Pcs/Pkg	Price/Pkg	Part #	Pcs/Pkg	Price/Pkg	Part #	Pcs/Pkg	Price/Pkg
<b>Gray Term Blk</b>	DN-F6	25	<--->	-	-	-	DN-F10	50	<--->	-	-	-
<b>12-24VAC/DC*</b>	-	-	-	DN-F6L24	10	<--->	-	-	-	DN-F10L24	10	<--->
<b>110VAC/DC*</b>	Per fuse rating	-	-	DN-F6L110	10	<--->	Per fuse rating	-	-	DN-F10L110	10	<--->
<b>220VAC/DC*</b>	-	-	-	DN-F6L220	10	<--->	-	-	-	DN-F10L220	10	<--->
<b>UL Approval<sup>1</sup></b>	600V 30A	20-6 AWG	-	600V 30A	20-6 AWG	-	300V 30A	24-10 AWG	-	300V 30A	24-10 AWG	-
<b>CSA Approval</b>	600V 30A	18-6 AWG	-	600V 30A	18-6 AWG	-	300V 8A	18-12 AWG	-	300V 8A	18-12 AWG	-
<b>VDE Approval</b>	750V 8A	-	-	750V 8A	-	-	500V 8A	4mm <sup>2</sup>	-	500V 8A	4mm <sup>2</sup>	-
<b>CE Conformity</b>	CE 23/20, CE 23/21	-	-	CE 23/20, CE 23/21	-	-	CE 23/20, CE 23/21	-	-	CE 23/20, CE 23/21	-	-
<b>Agency File#</b>	E179129, LR84816	-	-	E179129, LR84816	-	-	E179129, LR84816	-	-	E179129, LR84816	-	-
<b>Wire Strip Length</b>	0.47" (12mm)	-	-	0.47" (12mm)	-	-	0.39" (10mm)	-	-	0.39" (10mm)	-	-
<b>Tightening Torque</b>	18.0 lb-in (2.0Nm)	-	-	18.0 lb-in (2.0Nm)	-	-	5.5 lb-in (0.6Nm)	-	-	5.5 lb-in (0.6Nm)	-	-
<b>Density</b>	30 pcs./ft. (100/m)	-	-	30 pcs./ft. (100/m)	-	-	30 pcs./ft. (100/m)	-	-	30 pcs./ft. (100/m)	-	-
<b>Fuse Size (not supplied)</b>	1 1/4" X 1/4"	-	-	1 1/4" X 1/4"	-	-	5x20mm-5x25mm	-	-	5x20mm-5x25mm	-	-
<b>Indicator Type</b>	Non-indicating	-	-	LED blown fuse indicator	-	-	Non-indicating	-	-	LED blown fuse indicator	-	-

### Accessories

	Part#	Pcs/Pkg	Price/Pkg
<b>DIN Rail</b>	35mm DIN rail	10	various
<b>End Bracket****</b>	DN-EB35	50	<--->
<b>End Cover</b>	Included	-	-
<b>Marking Tags</b>	DN-L**/DN-LT*** series	500/100	various
<b>Angled Support Bracket</b>	DN-ASB1	50	<--->

\*Working voltage

\*\*On lever arm

\*\*\*On Terminal body

\*\*\*\* END BRACKET available in quantity of 20, Part #DN-EB35MN, price <--->. NOTE: for more information on accessories, see pages 25-20 through 25-46.

**1 for copper wire only**

PLC Overview

DL05/06 PLC

DL105 PLC

DL205 PLC

DL305 PLC

DL405 PLC

Field I/O

Software

C-more HMIs

Other HMI

AC Drives

Motors

Steppers/Servos

Motor Controls

Proximity Sensors

Photo Sensors

Limit Switches

Encoders

Pushbuttons/Lights

Process

Relays/Timers

Comm.

TB's & Wiring

Power

Enclosures

Appendix

Part Index

# Fuse Terminal Blocks

Midget fuses are supplemental fuses and are not rated for current limiting applications. They do not have rejection tips. Class CC fuses are current limiting fuses with rejection tips on the bottoms to prevent them from being used in holders not rated similarly.



DN-FM6    DN-FM6L    DN-FM6-CC    DN-FM6L-CC

Specifications												
	Part #	Pcs/Pkg	Price/Pkg	Part #	Pcs/Pkg	Price/Pkg	Part #	Pcs/Pkg	Price/Pkg	Part#	Pcs/Pkg	Price/Pkg
<b>White Fuse Block</b>	DN-FM6	12	<--->	DN-FM6L	12	<--->	DN-FM6-CC	12	<--->	DN-FM6L-CC	12	<--->
<b>UL Approval***</b>	600V	30A	14-6AWG	600V	30A	14-6AWG	600V	30A	14-6AWG	600V	30A	14-6AWG
<b>CSA Approval</b>	600V	30A	14-6AWG	600V	30A	14-6AWG	600V	30A	14-6AWG	600V	30A	14-6AWG
<b>CE Conformity</b>	CE 93/68/EEC			CE 93/68/EEC			CE 93/68/EEC			CE 93/68/EEC		
<b>Working Voltage (Indicating Circuit)</b>	-			90-600VAC, 110-600VDC			-			90-600VAC, 115-600VDC		
<b>Leakage Current (Indicating Circuit)</b>	-			0.7mA max @600V			-			0.7mA max @ 600V		
<b>Withstand Rating (RMS Symmetrical)</b>	100,000A			100,000A			200,000A			200,000A		
<b>Agency File#</b>	E195415, CSA 32169, IEC 269			E195415, CSA 32169, IEC 269			E52283, CSA 32169, IEC 269			E52283, CSA 32169, IEC 269		
<b>Wire Strip Length</b>	0.5" (12.7mm)			0.5" (12.7mm)			0.5" (12.7mm)			0.5" (12.7mm)		
<b>Tightening Torque</b>	15 lb-in. (1.7Nm)			15 lb-in. (1.7Nm)			15 lb-in. (1.7Nm)			15 lb-in. (1.7Nm)		
<b>Density</b>	17 pcs./ft. (56/m)			17 pcs./ft. (56/m)			17 pcs./ft. (56/m)			17 pcs./ft. (56/m)		
<b>Fuse Type*</b>	1 1/2"x13/32" Midget			1 1/2"x13/32" Midget			Class CC			Class CC		
<b>Indicator Type</b>	Non-indicating			Neon blown fuse indicator			Non-indicating			Indicating		

Accessories			
	Part #	Pcs/Pkg	Price/Pkg
<b>DIN Rail</b>	35mm DIN rail		
<b>End Bracket**</b>	DN-EB35	50	<--->
<b>End Cover</b>	Included	-	-
<b>2 Pole Lever Assembly Pins</b>	DN-FAP2	10	<--->
<b>3 Pole Lever Assembly Pins</b>	DN-FAP3	10	<--->
<b>Angled Support Bracket</b>	DN-ASB1	50	<--->

\* DINnectors DN-FM6 and DN-FM6L fuse holders will accommodate the following Ferraz Shawmut fuses: ATQ, ATM, A6Y-Type 2B, TRM, OTM, A60Q, GGU, A13X-Type 2, A25Z-Type 2

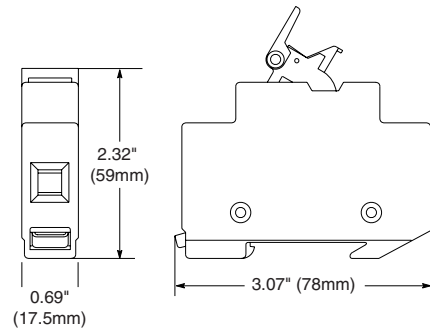
\*\* END BRACKET available in quantity of 20, Part #DN-EB35MN, price <--->.

\*\*\* for copper wire only

Fuse Block Cross Reference				
DINnectors	Allen-Bradley	Bussman	Littlefuse	Ferraz Shawmut
<b>DN-FM6</b>	1492-WFB10	CHM1	LPSM-001	USM1
<b>DN-FM6L</b>	1492-WFB1024	CHM1L	LPSM-001LD	USM1L
<b>DN-FAP2</b>	N/A	CH102AP	N/A	USPTH2
<b>DN-FAP3</b>	N/A	CH103AP	N/A	USPTH3

Note: Fuse holders are supplied without fuses.

DN-FM6 and DN-FM6-CC



DN-FM6L and DN-FM6L-CC

