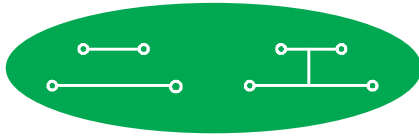
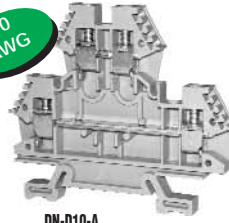


Double-level Terminal Blocks



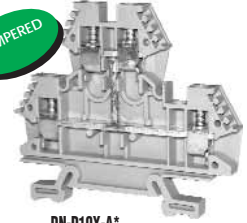
Double-level terminal blocks offer twice the wiring density of feed-through blocks. The DN-D10X-A version is supplied with an internal jumper to common all four of its connection points.

10 AWG

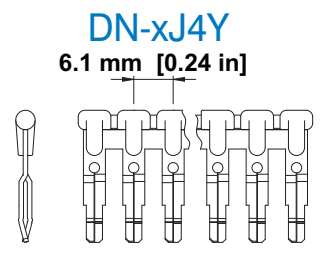
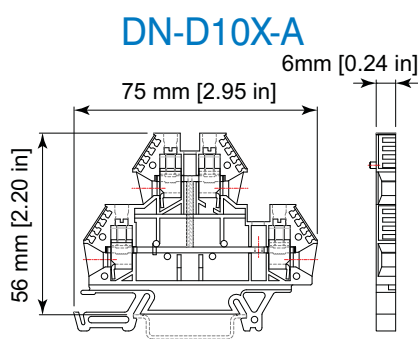
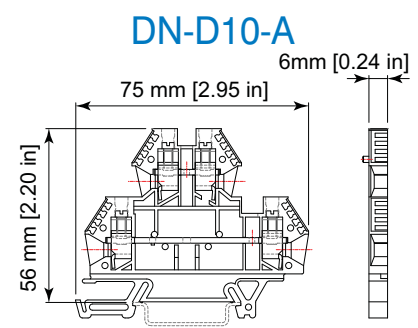


DN-D10-A
Series: EURO D4

JUMPERED



DN-D10X-A*
Series: EURO D4



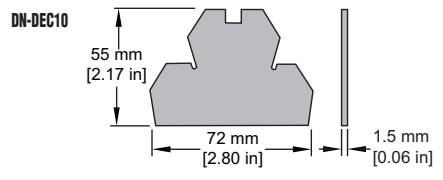
	Part #	Pcs/Pkg	Price/Pkg	Part #	Pcs/Pkg	Price/Pkg
Gray Term Block	DN-D10-A	50	<--->	DN-D10X-A	50	<--->
Blue Term Block	DN-D10B-A	50	<--->	-	-	-
Black Term Block	DN-D10BLK-A	50	<--->	-	-	-
Green Term Block	DN-D10GRN-A	50	<--->	-	-	-
Orange Term Block	DN-D10ORG-A	50	<--->	-	-	-
Red Term Block	DN-D10RED-A	50	<--->	-	-	-
Yellow Term Block	DN-D10YEL-A	50	<--->	-	-	-

Double-level Terminal Blocks Specifications						
UL Approval *	600V	30A	24-10 AWG	600V	30A	24-10AWG
CSA Approval	600V	30A	24-10 AWG	600V	30A	24-10AWG
VDE Approval	800V	32A	4mm ²	800V	32A	4mm ²
CE Conformity	CE 23/20, CE 23/21			CE 23/20, CE 23/21		
Agency File #	UL E179129			UL E179129		
Wire Strip Length	0.39 in [10 mm]			0.39 in [10 mm]		
Tightening Torque	7lb-in [0.6 N-m]			7lb-in [0.6 N-m]		
Density	50 pcs/ft [166/m]			50 pcs/ft [166/m]		
Operating Temperature	Ambient air temperature: -13°F to 104°F (-25°C to 40°C) Relative humidity: 50% max at 104°F (40°C); 90% max at 68°F (20°C)					

* For copper wire only

Accessories						
	Part #	Pcs/Pkg	Price/Pkg	Part #	Pcs/Pkg	Price/Pkg
35 mm DIN Rail	Part No. DN-R35S1 (7.5 mm) or DN-R35HS1 (15 mm)			10 various		
End Bracket	DN-EB35			50 <--->		
	DN-EB35MN			20 <--->		
	DN-EB35-A			50 <--->		
	DN-QEB35			50 <--->		
End Cover	DN-DEC10			50 <--->		
Jumpers	/ 2 Pole DN-2J4Y ****			100 <--->		
	/ 3 Pole DN-3J4Y ****			100 <--->		
	/ Multi-pole DN-24J4Y (24 pole) ****			5 <--->		
Jumper Cutting Tool **	DN-J4CUT			1 <--->		
Marking Tags	DN-L or DN-LT series			500/100 various		
Angled Support Bracket	DN-ASB1			50 <--->		
Top Cover	DN-DC10 ***			100 <--->		
Test Plug, Red	DN-TPR	10	<--->	DN-TPR ****	10	<--->
Test Plug, Black	DN-TPB	10	<--->	DN-TPB ****	10	<--->

** Jumper Cutting Tool DN-J4CUT cuts DN-xJ4Y multi-pole jumpers and MAINTAINS THE JUMPER INSULATION.
*** Does not provide CE compliant protection if using bottom level jumpers.
**** Jumpering and testing should be done on bottom level only.



For more information on accessories, see the "DINnectors Accessories" section of this chapter.

AutomationDirect
DIRECT

Company Info.

PLCs

Field I/O

Software

C-more & other HMI

AC Drives

AC Motors

Power Transmiss.

Steppers/Servos

Motor Controls

Proximity Sensors

Photo Sensors

Limit Switches

Encoders

Current Sensors

Pressure Sensors

Temp. Sensors

Pushbuttons/Lights

Process

Relays/Timers

Comm.

Terminal Blocks & Wiring

Power

Circuit Protection

Enclosures

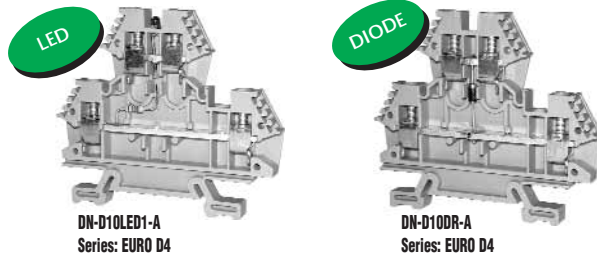
Tools

Pneumatics

Appendix

Part Index

Double-level Terminal Blocks



	Part #	Pcs/Pkg	Price/Pkg	Part #	Pcs/Pkg	Price/Pkg
Gray Term Block	DN-D10LED1-A**	10	<--->	DN-D10DR-A**	50	<--->
Double-level Terminal Blocks Specifications						
UL Approval *	600V	30A	24-10 AWG	600V	1A (Diode)	24-10 AWG
CSA Approval	600V	30A	24-10 AWG	600V	1A (Diode)	24-10 AWG
VDE Approval	800V	32A	4mm ²	800V	1A (Diode)	4mm ²
CE Conformity	CE 23/20, CE 23/21			CE 23/20, CE 23/21		
Agency File #	UL E179129			UL E179129		
Wire Strip Length	0.39 in [10 mm]			0.39 in [10 mm]		
Tightening Torque	7lb-in [0.6 N-m]			7lb-in [0.6 N-m]		
Density	50 pcs/ft [166/m]			50 pcs/ft [166/m]		
Operating Temperature	Ambient air temperature: -13°F to 104°F (-25°C to 40°C) Relative humidity: 50% max at 104°F (40°C); 90% max at 68°F (20°C)					
LED Voltage	12-24V AC /DC. 3.4 kΩ			-		

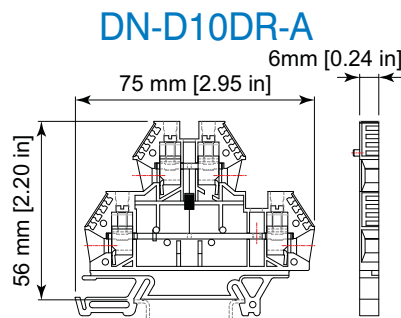
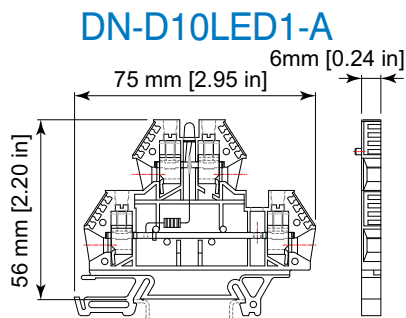
Accessories						
	Part #	Pcs/Pkg	Price/Pkg	Part #	Pcs/Pkg	Price/Pkg
35 mm DIN Rail	Part No. DN-R35S1 (7.5 mm) or DN-R35HS1 (15 mm)				10	various
End Bracket	DN-EB35			50	<--->	
	DN-EB35MN			20	<--->	
	DN-EB35-A			50	<--->	
	DN-QEB35			50	<--->	
End Cover	DN-DEC10			50	<--->	
Jumpers / 2 Pole	DN-2J4Y **			100	<--->	
	DN-3J4Y **			100	<--->	
	DN-24J4Y ** (24 pole)			5	<--->	
Jumper Cutting Tool ***	DN-J4CUT			1	<--->	
Marking Tags	DN-L or DN-LT series			500/100	various	
Angled Support Bracket	DN-ASB1			50	<--->	
Top Cover	DN-DC10			100	<--->	
Test Plug, Red	DN-TPR **			10	<--->	
Test Plug, Black	DN-TPB **			10	<--->	

* For copper wire only.

** Jumpering and testing should be done on bottom level only.

*** Jumper Cutting Tool DN-J4CUT cuts DN-xJ4Y multi-pole jumpers and MAINTAINS THE JUMPER INSULATION.

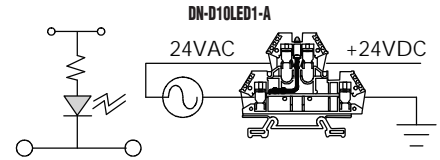
For more information on accessories, see the "DINnectors Accessories" section of this chapter.



LED terminal blocks

These terminal blocks provide built-in LED indicators. The LED illuminates when voltage is present. The LED1 version is for 24V AC/DC circuits, and includes current-limiting elements.

Note: Wire only one supply.



Diode terminal blocks

Typically, an inductive load produces a spike (neg.-going) when it is turned off. These terminal blocks with built-in clamping diodes help protect your PLC's output circuits. The circuit below shows the normal voltages to the load (during on state).

